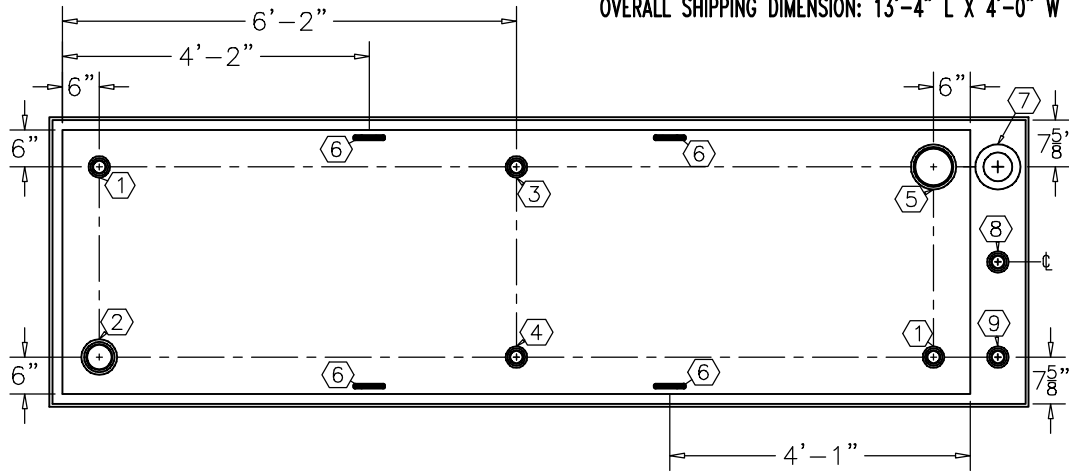


**NOTE:**  
**OVERALL SHIPPING DIMENSION: 13'-4" L X 4'-0" W X 5'-4" H**

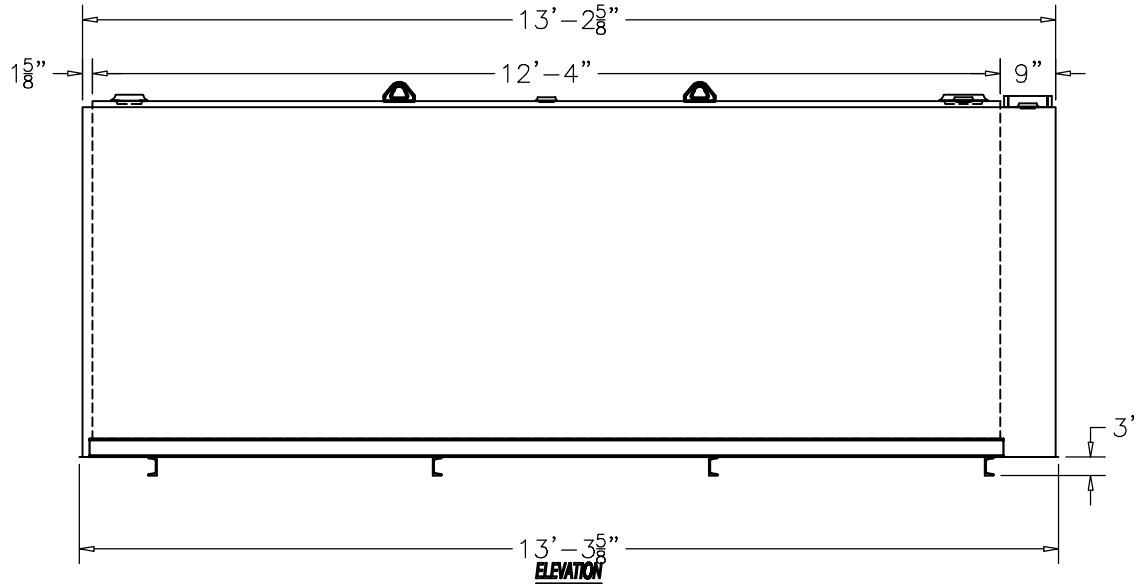


**TOP VIEW**

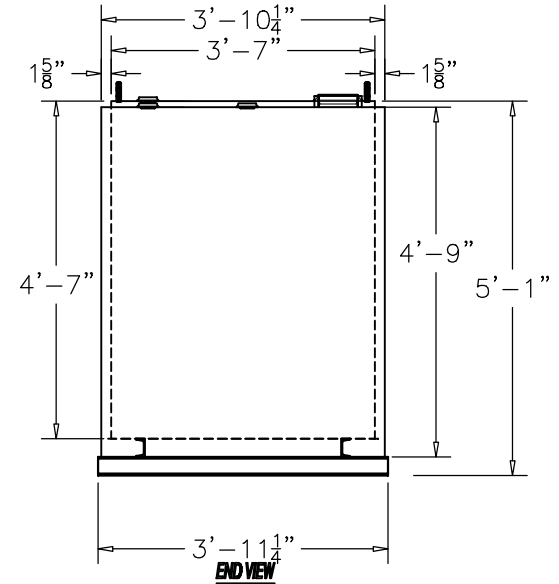
ITEM	SIZE	SUGGESTED FUNCTION
1	2"	SPARE
2	4"	FILL
3	2"	PRIMARY TANK WORKING VENT
4	2"	MECHANICAL GAUGE/SPARE
5	6"	PRIMARY TANK EMERGENCY VENT
6	SMALL	LIFTING LUG
7	6"	SECONDARY CONTAINMENT EMERGENCY VENT
8	2"	SECONDARY MONITOR PORT
9	2"	SECONDARY WORKING VENT

**TANK SPECIFICATIONS**

VENTING CAPACITY: PRIMARY TANK - 211,000 CUBIC FEET PER HOUR  
 SECONDARY TANK - 239,000 CUBIC FEET PER HOUR  
 MATERIAL: PRIMARY TANK - 3/16" THICK  
 SECONDARY TANK - 10 GA.



**ELEVATION**



**END VIEW**

PRODUCT CODE	GALLONS	DESCRIPTION	OVERALL SIZE	SHIP WT.
LCAA115CDS000	1,500	UL-142 DOUBLE WALL LUBE CUBE TANK	13'-4" L X 4'-0" W X 5'-1" H	3,250 LBS.

**CONTAINMENT SOLUTIONS®**

THIS DRAWING AND DESIGN SHOWN HEREIN IS THE PROPERTY OF CONTAINMENT SOLUTIONS. USE OR COPIES THEREOF CANNOT BE MADE WITHOUT WRITTEN CONSENT.

CUSTOMER NAME: \_\_\_\_\_  
**APPROVED** BY: \_\_\_\_\_ DATE: \_\_\_\_\_

DRAWN BY: D. ROVANG DATE DRAWN: 01-01-14  
 DWG NUMBER: 5100101 SCALE: 1:32  
 REV: \_\_\_\_\_ REV BY: \_\_\_\_\_ DATE: \_\_\_\_\_ SHEET: 1 OF 1