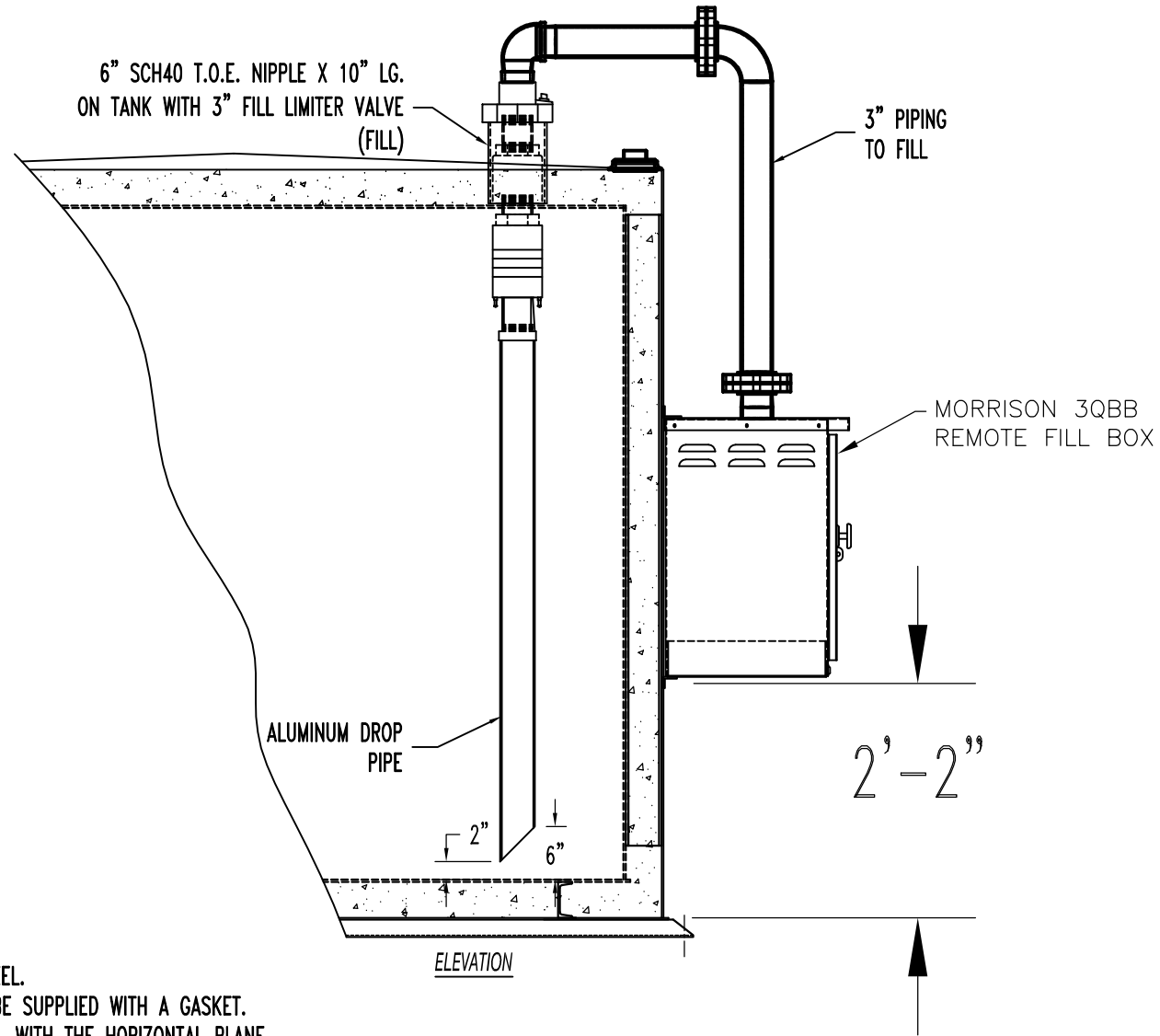


TYPICAL INSTALLATION OF GROUND LEVEL FILL BOX WITH 3" FILL LIMITER VALVE (6" FILL)



NOTES:

1. ALL PIPING SHALL BE CARBON STEEL.
2. ALL FASTENERS SHALL BE STAINLESS STEEL.
3. ALL 150# FLANGE CONNECTIONS SHALL BE SUPPLIED WITH A GASKET.
4. GROUND LEVEL FILL BOX SHALL BE LEVEL WITH THE HORIZONTAL PLANE.

PRODUCT CODE	GALLONS	DESCRIPTION	OVERALL SIZE	SHIP WT.
SBB202		3QBB MORRISON REMOTE BOX W/3" FILL LIMITER VALVE (6" FILL)		

THIS DRAWING AND DESIGN SHOWN HEREIN IS THE PROPERTY OF CONTAINMENT SOLUTIONS. USE OR COPIES THEREOF CANNOT BE MADE WITHOUT WRITTEN CONSENT.

CUSTOMER NAME _____

APPROVED BY: _____ DATE: _____

CONTAINMENT SOLUTIONS

DRAWN BY: D. ROVANG DATE DRAWN: 01-01-14
 DWG NUMBER: SBB202 SCALE:
 REV: REV BY: DATE: SHEET: 1 OF 1