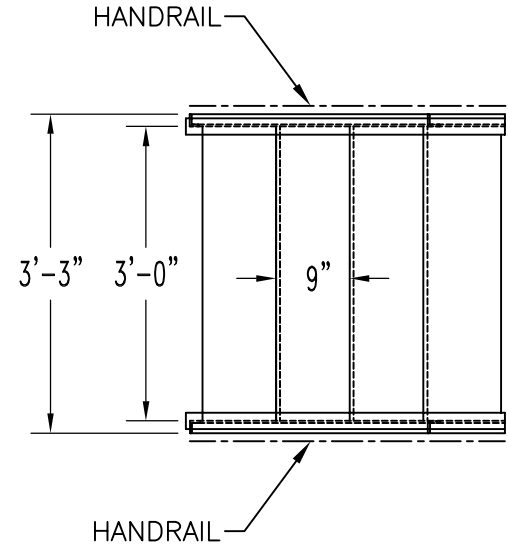
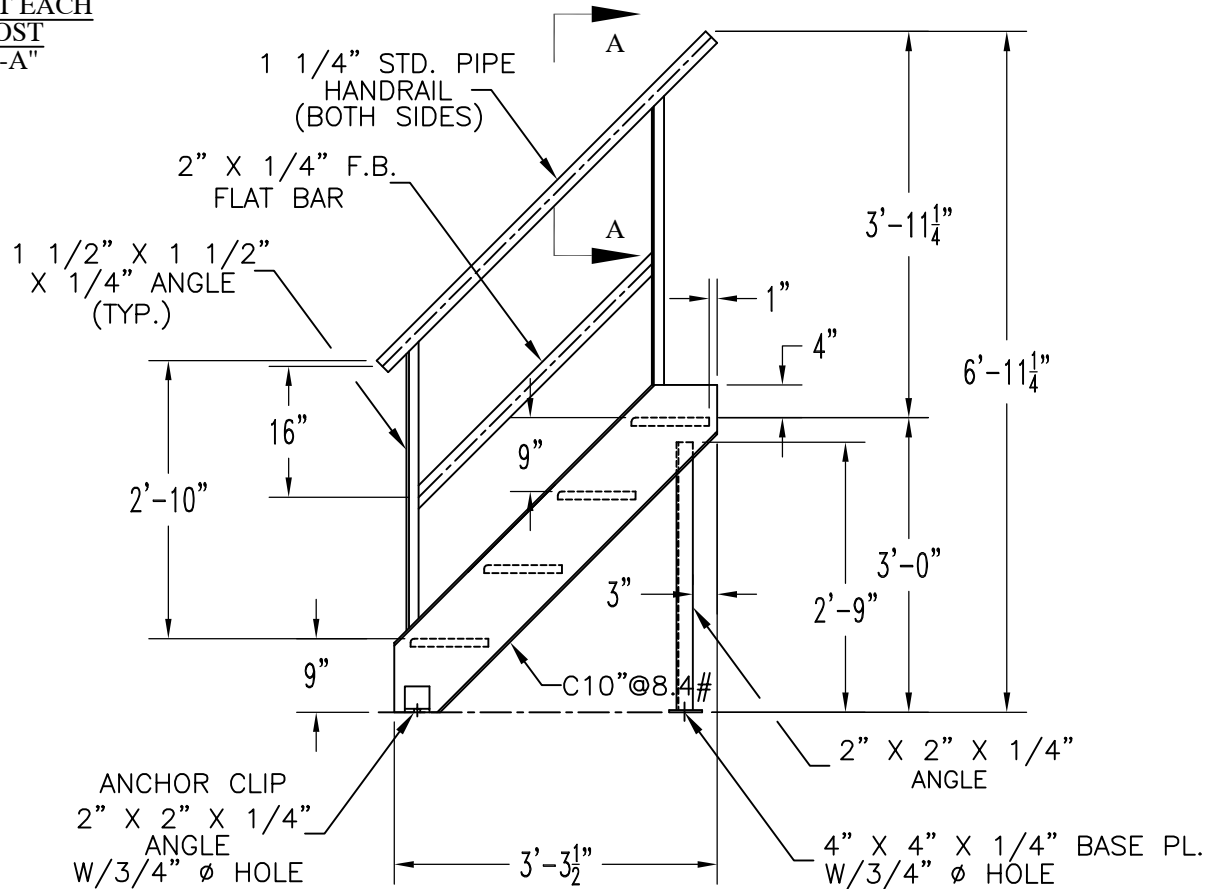
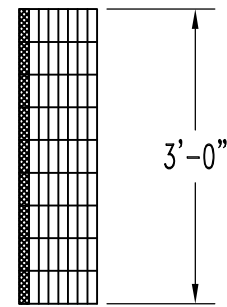


TYP AT EACH  
POST  
"A-A"



PLAN



TYP. STAIR TREAD

**NOTES:**

1. STEP GRATING SHALL BE NON-SERRATED
2. STAIR SHALL BE MOUNTED BETWEEN 1/2" AND 3/4" FROM TANK EXTERIOR.
3. OPTIONAL GALVANIZED FINISH AVAILABLE.

PRODUCT CODE	GALLONS	DESCRIPTION	OVERALL SIZE	SHIP WT.
STB003		4 STEP STAIRS W/HANDRAIL	3'-4" L X 3'-3" W X 6'-11" H	235 LBS.

THIS DRAWING AND DESIGN SHOWN HEREIN IS THE PROPERTY OF CONTAINMENT SOLUTIONS. USE OR COPIES THEREOF CANNOT BE MADE WITHOUT WRITTEN CONSENT.

CUSTOMER NAME: \_\_\_\_\_

**APPROVED** BY: \_\_\_\_\_ DATE: \_\_\_\_\_

**CONTAINMENT SOLUTIONS**

DRAWN BY: D. ROVANG	DATE DRAWN: 01-01-14
DWG NUMBER: STB003	SCALE: 1:24
REV: _____	REV BY: _____
DATE: _____	SHEET: 1 OF 1