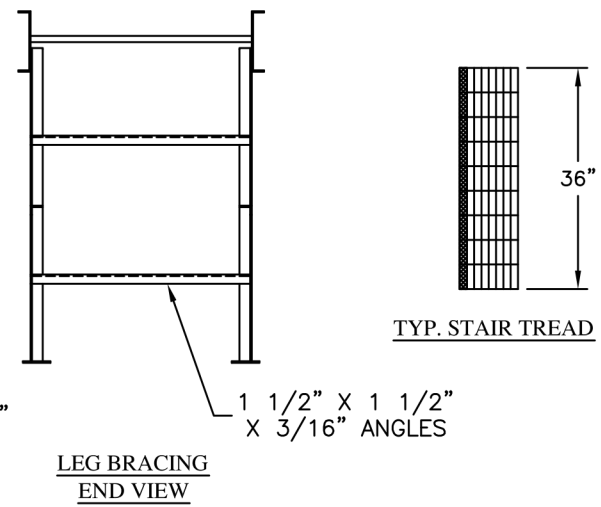
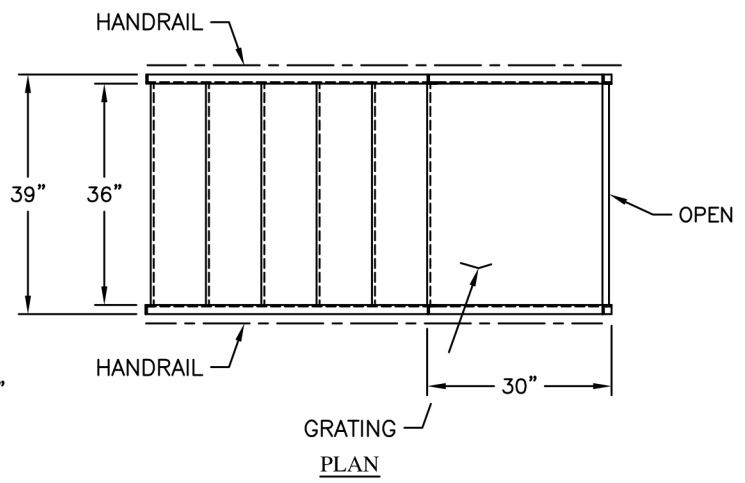
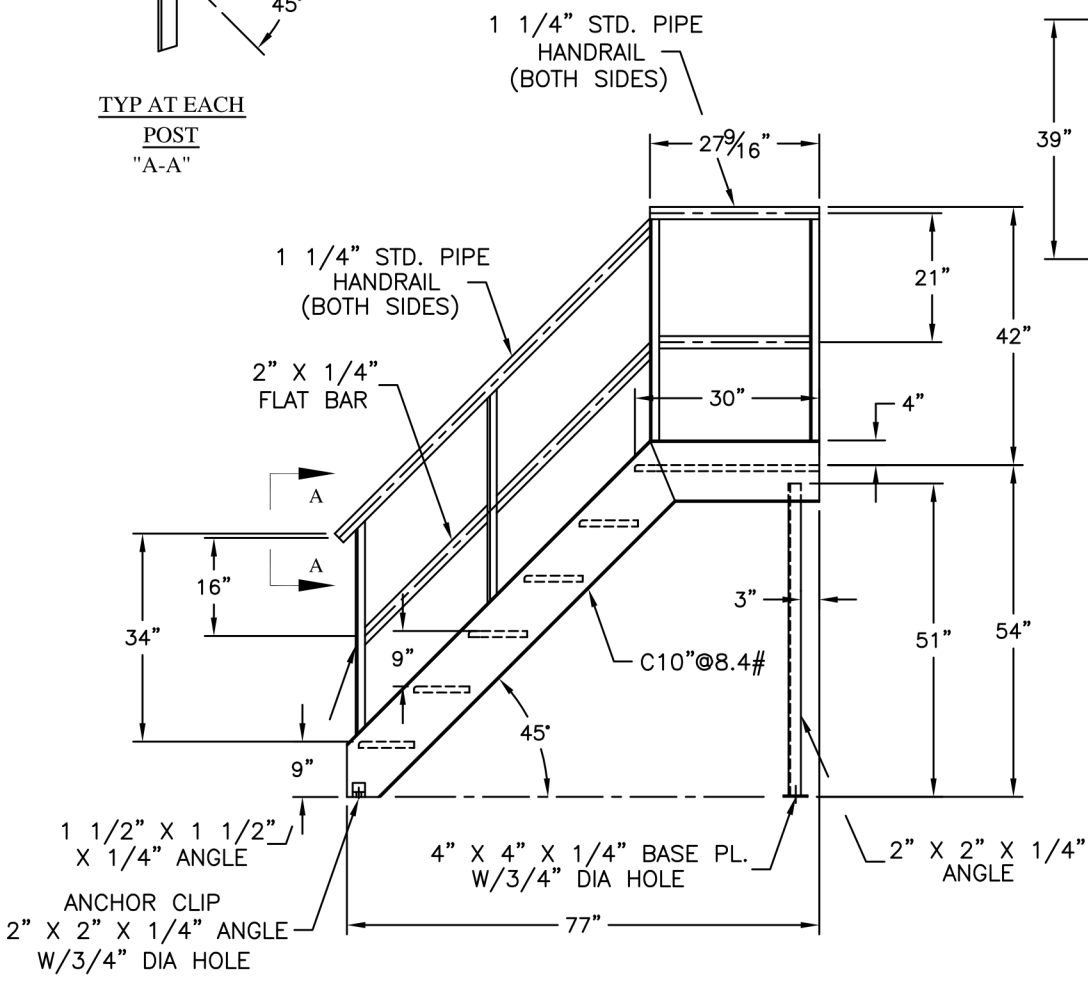


TYP AT EACH
POST
"A-A"



UPGRADE:
OPTIONAL GALVANIZED FINISH.

PRODUCT CODE	GALLONS	DESCRIPTION	OVERALL SIZE	SHIP WT.
STB013		5 STEP STAIRS W/LANDING	6'-5" L X 3'-3" W X 8'-0" H	500 LBS.
THIS DRAWING AND DESIGN SHOWN HEREIN IS THE PROPERTY OF CONTAINMENT SOLUTIONS. USE OR COPIES THEREOF CANNOT BE MADE WITHOUT WRITTEN CONSENT.				
CUSTOMER NAME		APPROVED BY:		DATE:

CONTAINMENT SOLUTIONS

DRAWN BY: D. ROVANG	DATE DRAWN: 07-01-09		
DWG NUMBER: STB013	SCALE: 1:32		
REV:	REV BY:	DATE:	SHEET: 1 OF 1