

FLOWTITE PRODUCTS

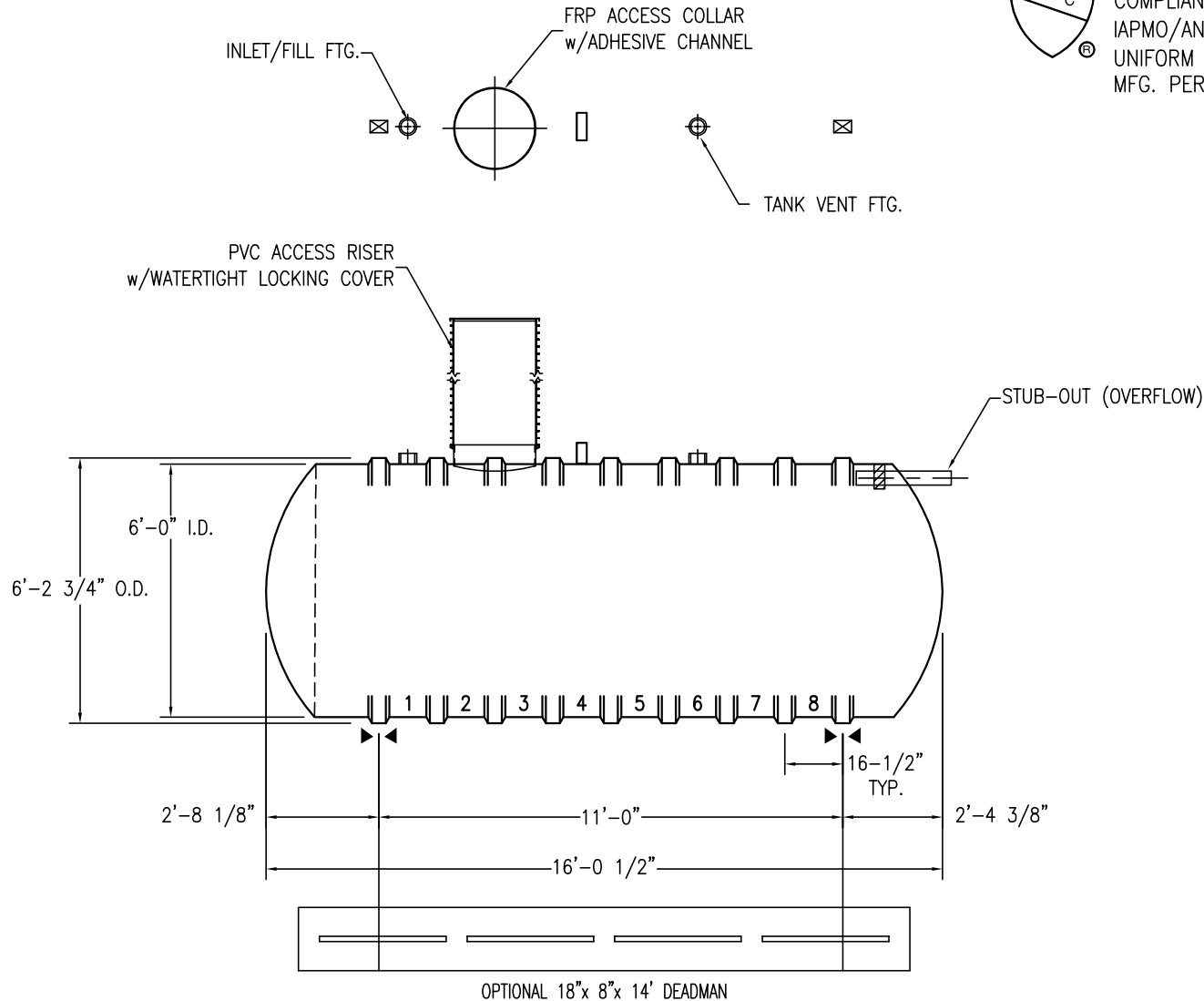
RAINWATER HARVESTING

NOTE: CUSTOMER SUPPLIED FLEXIBLE PIPING COUPLING REQUIRED ON TANGENTIALLY MTD. NOZZLES, STUB-OUTS & NPT FITTINGS.

SHELL CODES: 1-E6S09SD, 1-E6SECS



THIS IS AN IAPMO APPROVED TANK COMPLIANCE STANDARDS AND CODES: IAPMO/ANSI Z1002 UNIFORM PLUMBING CODE (UPC) MFG. PER PE-C22.85



IAPMO Z1002 MINIMUM REQUIRED TANK OPENINGS

- 1-ACCESS COLLAR OPENING (24", 30" or 36")
- 1-ACCESS RISER w/WATERTIGHT LOCKING COVER
- 1-INLET/FILL FITTING (4" MIN)
- 1-TANK OVERFLOW (EQUAL TO THE INLET)
- 1-TANK VENT (EQUAL TO LARGER-INLET OR OVERFLOW)

THIS DIAGRAM IS THE PROPERTY OF CONTAINMENT SOLUTIONS, INC., AND IS FOR ILLUSTRATION PURPOSES ONLY. IT IS NOT TO BE RELIED UPON FOR ANY OTHER PURPOSE. NO WARRANTY OF MERCHANT ABILITY OF FITNESS FOR A PARTICULAR PURPOSE OR OF ANY OTHER KIND, EXPRESSED OR IMPLIED IS HEREBY MADE. COPYRIGHT © 2016 CONTAINMENT SOLUTIONS, INC. ALL RIGHTS RESERVED.

SWT D-6 (6')-3000		DATE: 7/28/2016
IAPMO RAINWATER HARVESTING		DRAWN BY: R.OXNER
CONTAINMENT SOLUTIONS	CAPACITY: 3,187	REVISED: 4/16/17-A
	WEIGHT: DRY/WET 1500	DWG NUMBER: 6-03 IRWH