

# FLOWTITE PRODUCTS

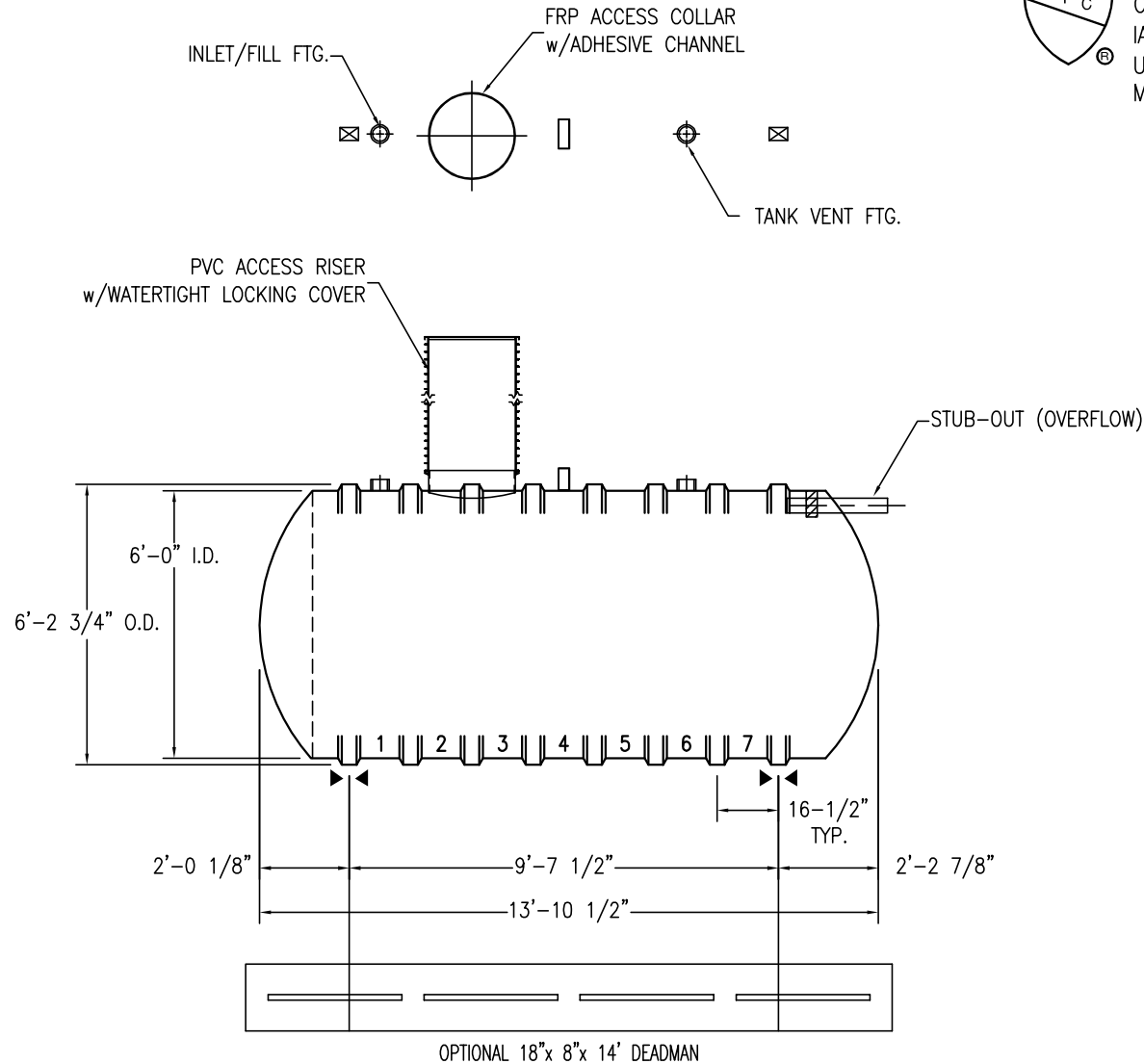
## RAINWATER HARVESTING

NOTE: CUSTOMER SUPPLIED FLEXIBLE PIPING COUPLING REQUIRED ON TANGENTIALLY MTD. NOZZLES, STUB-OUTS & NPT FITTINGS.

SHELL CODES: 1-E6S08SD, 1-E6SECSD



THIS IS AN IAPMO APPROVED TANK COMPLIANCE STANDARDS AND CODES: IAPMO/ANSI Z1002 UNIFORM PLUMBING CODE (UPC) MFG. PER PE-C22.85



THIS DIAGRAM IS THE PROPERTY OF CONTAINMENT SOLUTIONS, INC., AND IS FOR ILLUSTRATION PURPOSES ONLY. IT IS NOT TO BE RELIED UPON FOR ANY OTHER PURPOSE. NO WARRANTY OF MERCHANTABILITY OF FITNESS FOR A PARTICULAR PURPOSE OR OF ANY OTHER KIND, EXPRESSED OR IMPLIED IS HEREBY MADE. COPYRIGHT © 2016 CONTAINMENT SOLUTIONS, INC. ALL RIGHTS RESERVED.

### IAPMO Z1002 MINIMUM REQUIRED TANK OPENINGS

- 1-ACCESS COLLAR OPENING (24", 30" or 36")
- 1-ACCESS RISER w/WATERTIGHT LOCKING COVER
- 1-INLET/FILL FITTING (4" MIN)
- 1-TANK OVERFLOW (EQUAL TO THE INLET)
- 1-TANK VENT (EQUAL TO LARGER-INLET OR OVERFLOW)

SWT D-6 (6')-2500		DATE: 7/28/2016
IAPMO RAINWATER HARVESTING		DRAWN BY: R.OXNER
<b>CONTAINMENT SOLUTIONS</b>	CAPACITY: 2,689	REVISED: 4/16/17-A
	WEIGHT: DRY/WET 1300	DWG NUMBER: 6-25 IRWH