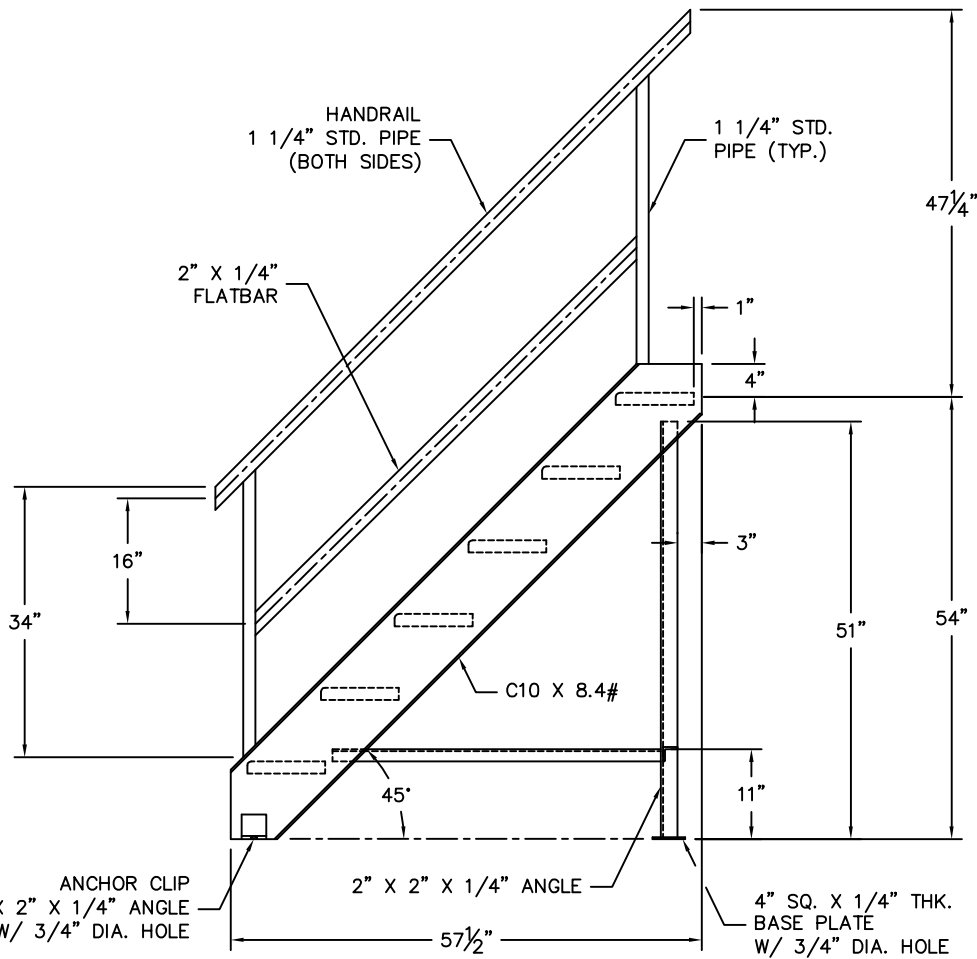


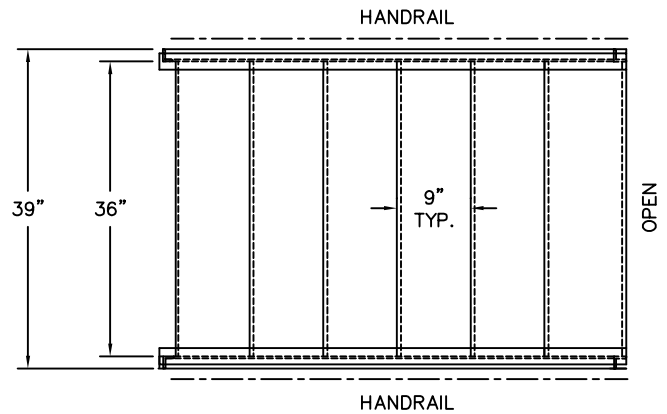
SIX STEP STAIR W/ HANDRAIL



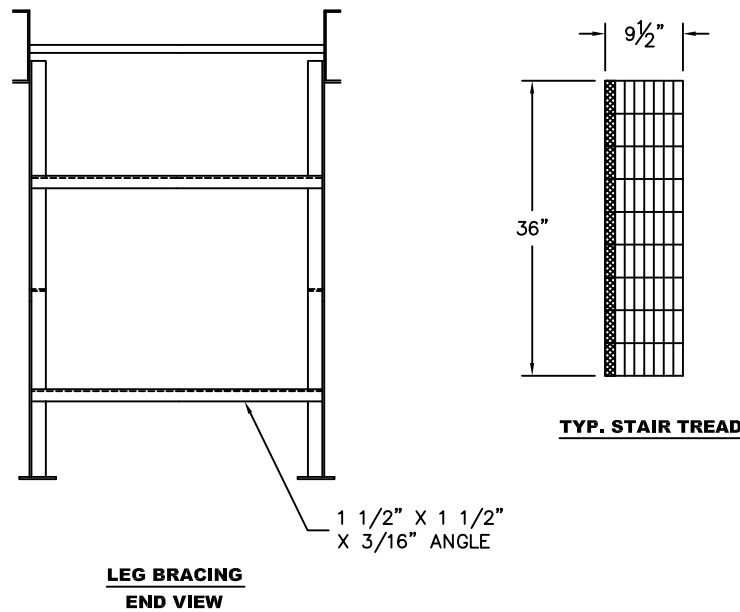
ELEVATION

NOTES:

1. STEP GRATING SHALL BE NON-SERRATED.
2. ALL FASTENERS FOR STAIR ASSEMBLY SHALL BE STAINLESS STEEL.
3. STAIR SHALL BE MOUNTED BETWEEN 1/2" AND 3/4" FROM TANK EXTERIOR.
4. EXTERIOR COATING SHALL BE BLACK EPOXY.



PLAN



**LEG BRACING
END VIEW**

TYP. STAIR TREAD

PRODUCT CODE	GALLONS	DESCRIPTION	OVERALL SIZE	SHIP WT.
STB005		6 STEP STAIRS W/HANDRAIL	4'-10" L X 3'-3" W X 8'-6" H	500 LBS.
THIS DRAWING AND DESIGN SHOWN HEREIN IS THE PROPERTY OF CONTAINMENT SOLUTIONS. USE OR COPIES THEREOF CANNOT BE MADE WITHOUT WRITTEN CONSENT.				
CUSTOMER NAME	APPROVED BY: _____		DATE: _____	

CONTAINMENT SOLUTIONS®

DRAWN BY: D. ROVANG DATE DRAWN: 01-01-14
 DWG NUMBER: STB005 SCALE: 1:24
 REV: REV BY: DATE: SHEET: 1 OF 1