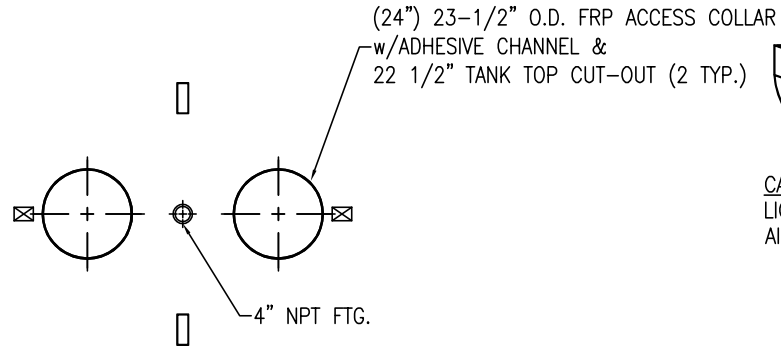


# FLOWTITE PRODUCTS

SEPTIC / WASTE WATER

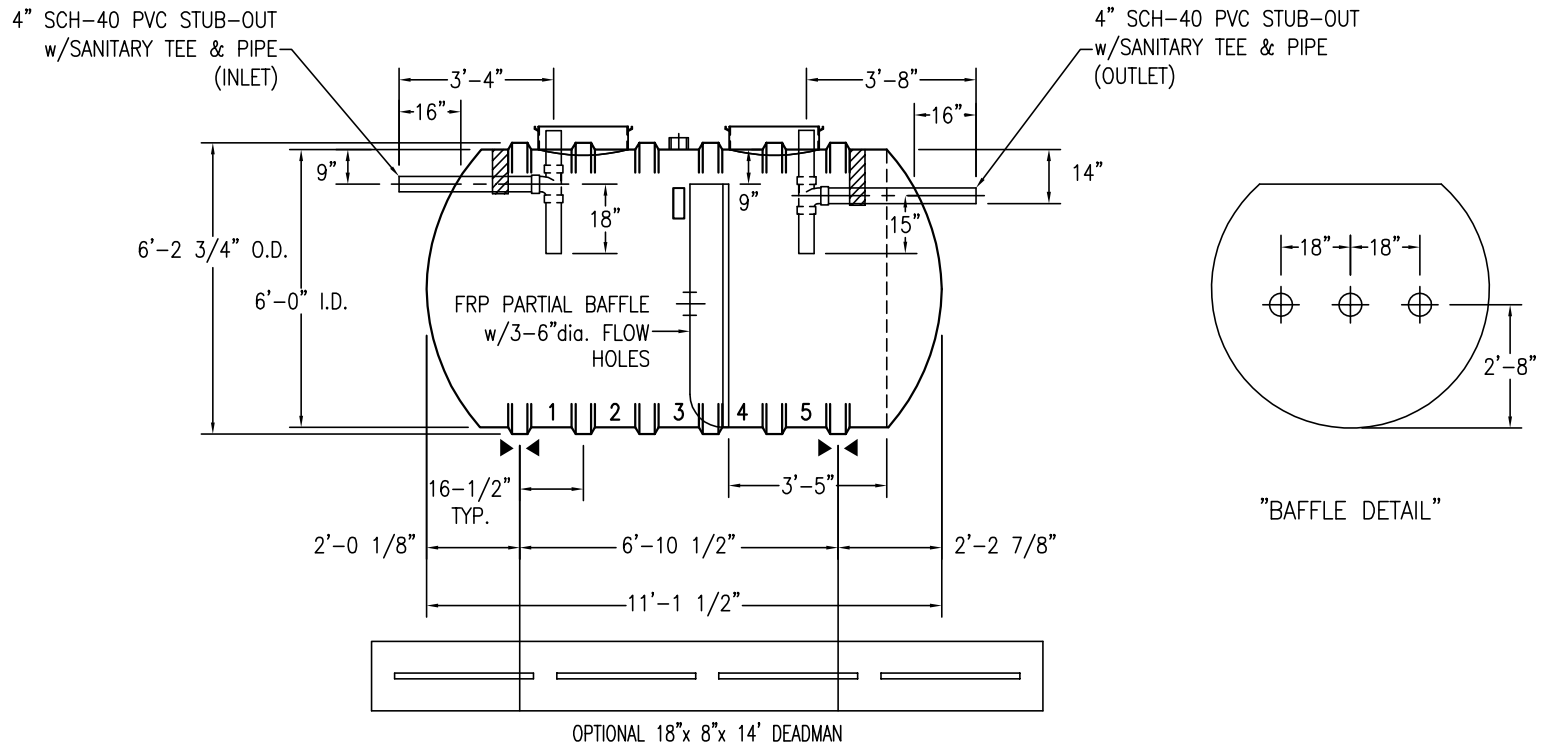
NOTE: CUSTOMER SUPPLIED "ASTM C-1644" APPROVED FLEXIBLE PIPING COUPLING REQUIRED ON TANGENTIALLY MTD. NOZZLES, & PIPES

SHELL CODES: 1-E6S06SD, 1-E6SECS D



THIS IS AN IAPMO APPROVED TANK THE ONLY CHANGE ALLOWED TO THIS TANK IS TO INCREASE THE INLET AND OUTLET PIPE DIAMETER. MFG. PER PE-C22.85

**CAPACITIES:**  
LIQUID VOLUME BELOW OUTLET = 1866 GALS  
AIR VOLUME ABOVE OUTLET = 281 GALS



**NOTES:**

- ☒ HOLD DOWN STRAP CLIP
- ▶◀ HOLD DOWN STRAP LOCATION
- TYPE "13" LIFT LUG - SD
- TYPE "13" LIFT LUG - HD

SWT D-6 (6')-2000		DATE:	1/1/2014
IAPMO SEPTIC TANK		DRAWN BY:	K.A.SOEDER
<b>CONTAINMENT SOLUTIONS</b>	CAPACITY:	2,147	
	WEIGHT: DRY/WET	1050	
		REVISED:	
		DWG NUMBER:	6SMSW-IS