

FLOWTITE PRODUCTS

SEPTIC/WASTE WATER

NOTE: CUSTOMER SUPPLIED
"ASTM C-1644" APPROVED
FLEXIBLE PIPING COUPLING
REQUIRED ON TANGENTIALLY
MTD. NOZZLES, & PIPES

SHELL CODES: 2-E6S08SD

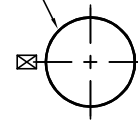
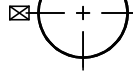
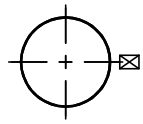


THIS IS AN IAPMO APPROVED TANK
THE ONLY CHANGE ALLOWED TO
THIS TANK IS TO INCREASE THE
INLET AND OUTLET PIPE DIAMETER.
MFG. PER. PE-C22.85

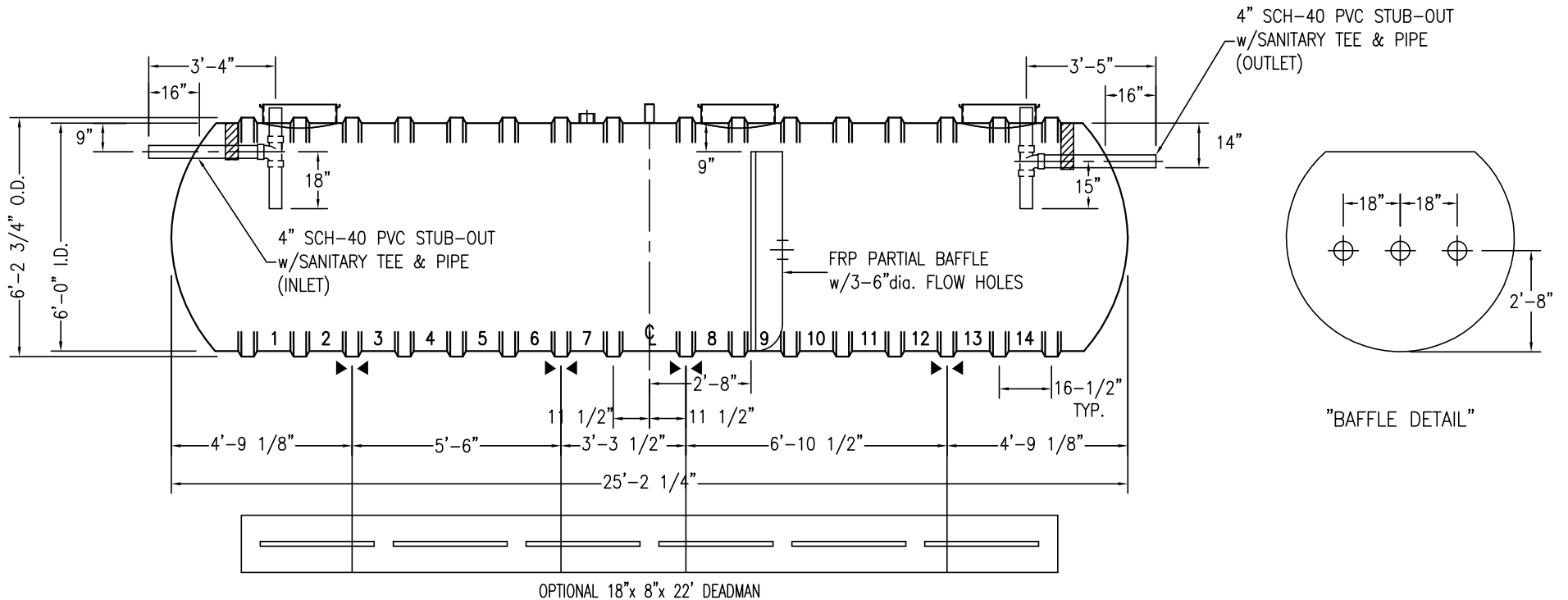
CAPACITIES:

LIQUID VOLUME BELOW OUTLET = 4,438 GALS
AIR VOLUME ABOVE OUTLET = 670 GALS

(24") 23-1/2" O.D. FRP ACCESS COLLAR
w/ADHESIVE CHANNEL &
22 1/2" TANK TOP CUT-OUT (3 TYP.)



4" NPT FTG.



NOTES:

- ☒ HOLD DOWN STRAP CLIP
- ▶◀ HOLD DOWN STRAP LOCATION
- TYPE "13" LIFT LUG - SD
- TYPE "13" LIFT LUG - HD

SWT D-6 (6')-5000		DATE: 1/1/2014
IAPMO SEPTIC TANK		DRAWN BY: K.A.SOEDER
CONTAINMENT SOLUTIONS	CAPACITY: 5,108	REVISED:
	WEIGHT: DRY/WET 2000	DWG NUMBER: 65MSW-IS