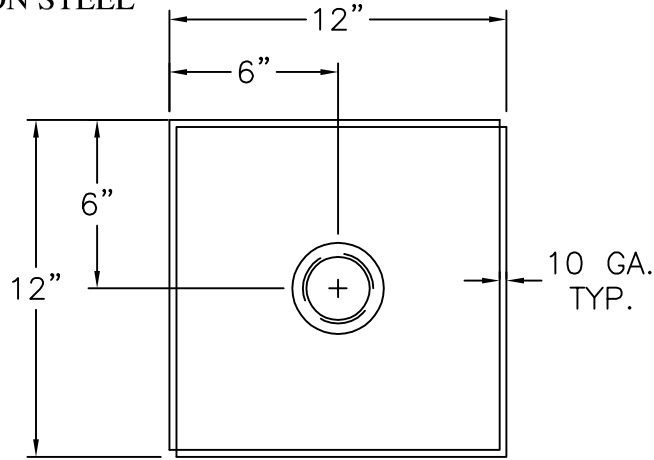
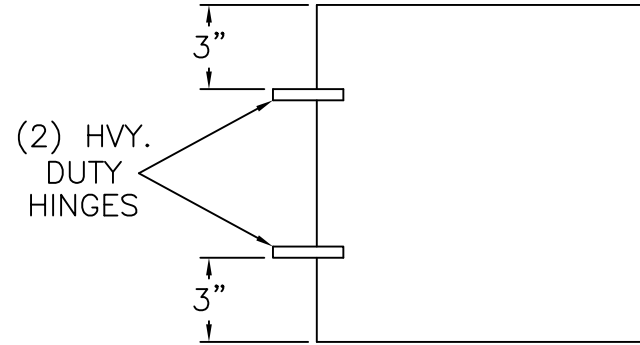


**MATERIAL:**

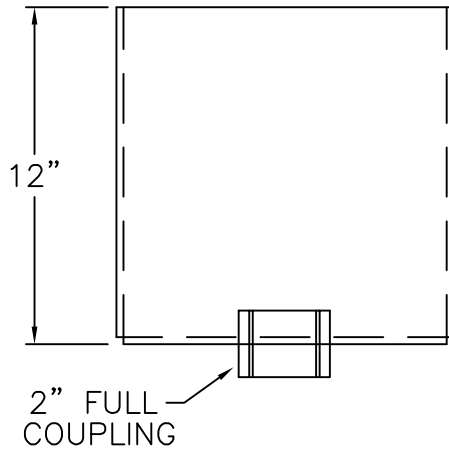
10 GA. CARBON STEEL



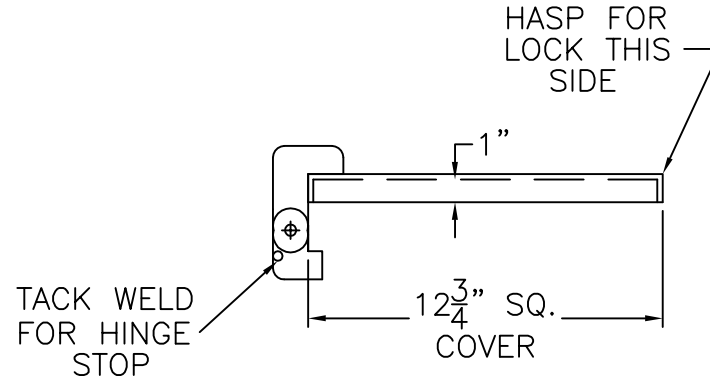
TOP VIEW



TOP VIEW(COVER)



ELEVATION



ELEVATION(COVER)

PRODUCT CODE	GALLONS	DESCRIPTION	OVERALL SIZE	SHIP WT.
SBB060	7	SPILLBOX W/2" FULL COUPLING	12" L X 12" W X 12" H	

**CONTAINMENT SOLUTIONS®**

THIS DRAWING AND DESIGN SHOWN HEREIN IS THE PROPERTY OF CONTAINMENT SOLUTIONS. USE OR COPIES THEREOF CANNOT BE MADE WITHOUT WRITTEN CONSENT.

CUSTOMER NAME: \_\_\_\_\_  
**APPROVED** BY: \_\_\_\_\_ DATE: \_\_\_\_\_

DRAWN BY: D. ROVANG      DATE DRAWN: 01-01-14  
 DWG NUMBER: SBB060      SCALE: 1:6  
 REV:      REV BY:      DATE:      SHEET: 1 OF 1