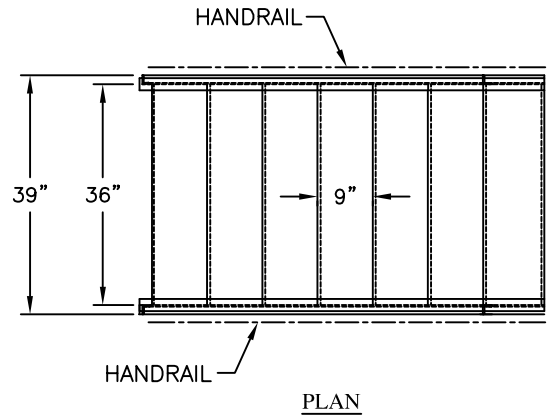
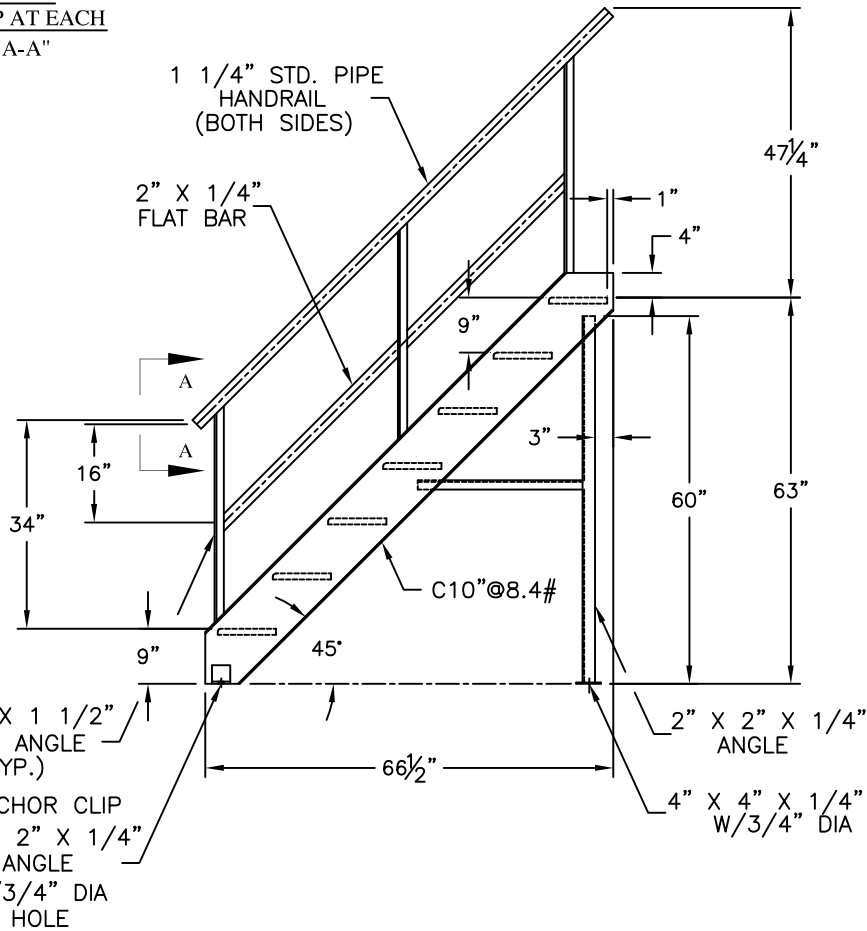
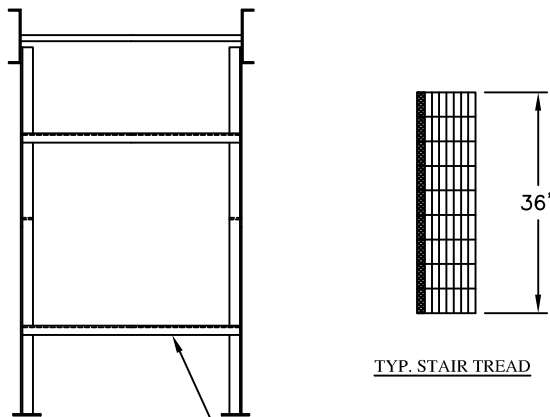


POST  
TYP AT EACH  
"A-A"



PLAN



LEG BRACING  
END VIEW

TYP. STAIR TREAD

UPGRADE:  
OPTIONAL GALVANIZED FINISH.

PRODUCT CODE	GALLONS	DESCRIPTION	OVERALL SIZE	SHIP WT.
STB006		7 STEP STAIRS W/HANDRAIL	5'-5" L X 3'-3" W X 8'-9" H	600 LBS.



THIS DRAWING AND DESIGN SHOWN HEREIN IS THE PROPERTY OF CONTAINMENT SOLUTIONS. USE OR COPIES THEREOF CANNOT BE MADE WITHOUT WRITTEN CONSENT.

CUSTOMER NAME: \_\_\_\_\_  
**APPROVED** BY: \_\_\_\_\_ DATE: \_\_\_\_\_

DRAWN BY: D. ROVANG		DATE DRAWN: 01-01-14	
DWG NUMBER: STB006		SCALE: 1:32	
REV:	REV BY:	DATE:	SHEET: 1 OF 1