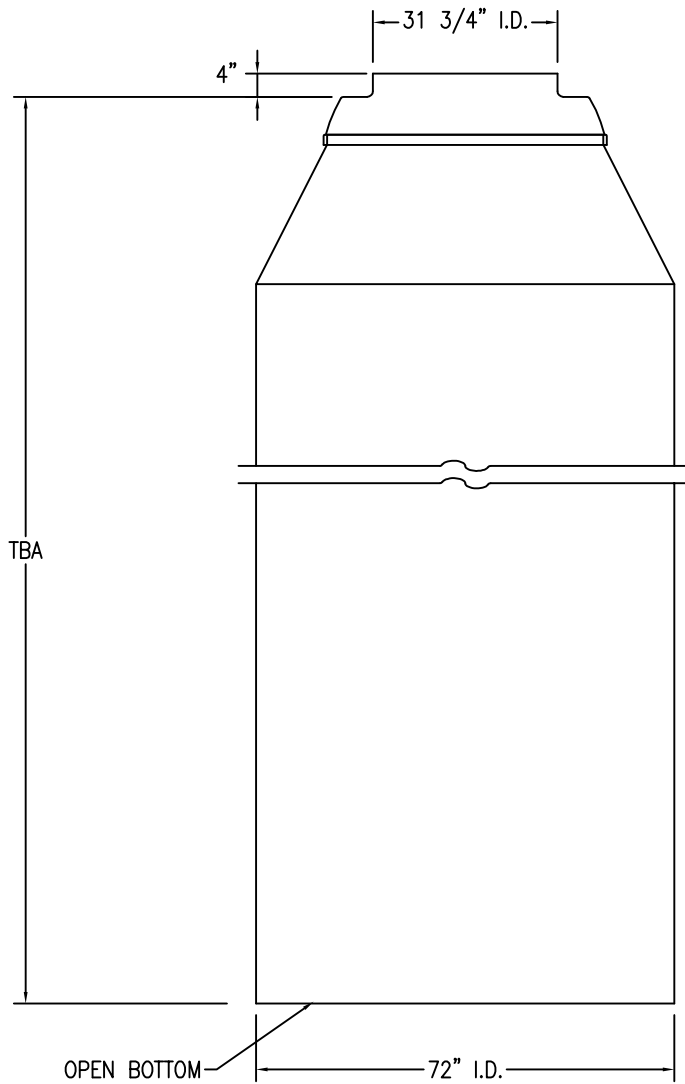
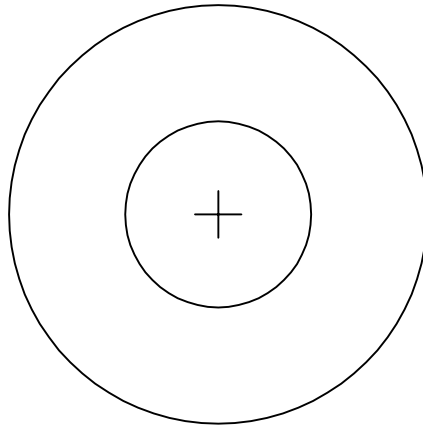


STANDARD 72" FIBERGLASS MANHOLE



CONTAINMENT SOLUTIONS INC. HAS MADE EVERY EFFORT TO REPRODUCE THESE DRAWINGS FAITHFULLY FROM THE DOCUMENTS PROVIDED. THESE WILL BE USED AS MANUFACTURING DRAWINGS, REVIEW THEM CAREFULLY AS THEY WILL DETERMINE THE FINAL BUILD. PLEASE HAVE THEM SIGNED, ACCEPTING THEM AS CORRECT AND RETURN TO C.S.I.

APPROVAL SIGNATURE

DATE