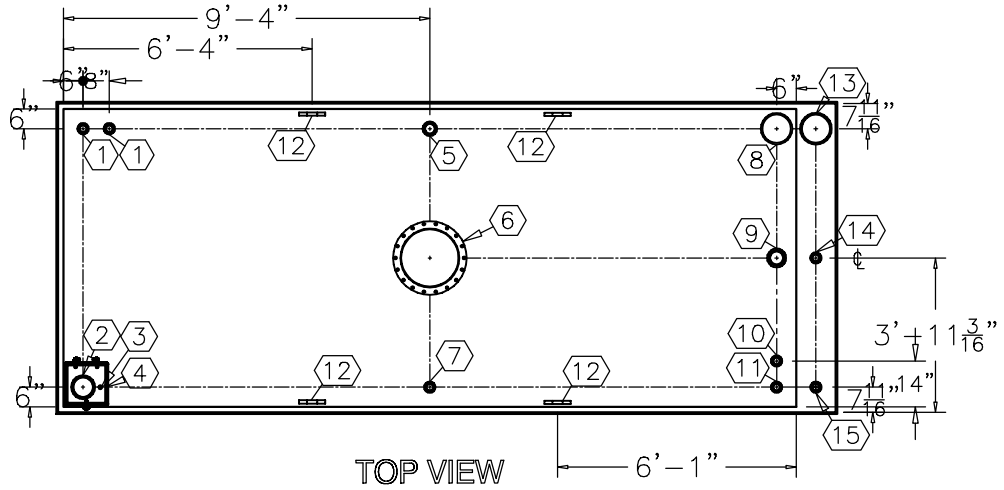
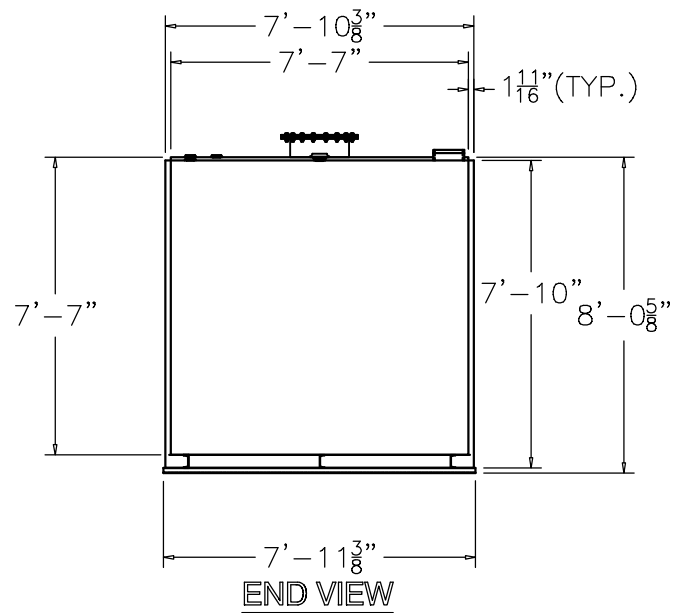
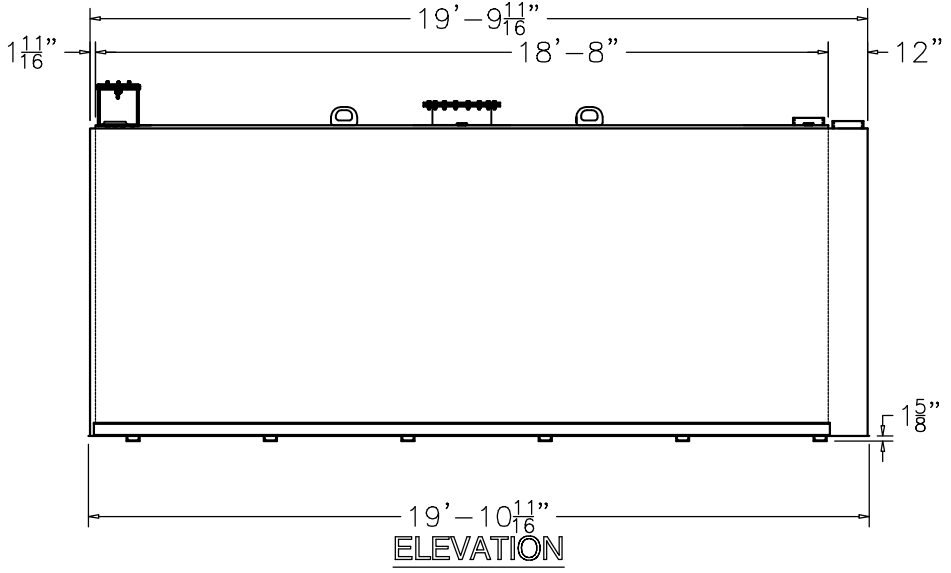


**NOTE:**  
 OVERALL SHIPPING DIMENSION: 19'-11" L X 8'-0" W X 9'-2" H

| ITEM | SIZE   | SUGGESTED FUNCTION                   |
|------|--------|--------------------------------------|
| 1    | 2"     | SPARE                                |
| 2    | 6"     | FILL                                 |
| 3    | 1/2"   | DRAIN FOR SPILLBOX                   |
| 4    | 7 GAL. | SPILLBOX, DWG."SBB002"               |
| 5    | 3"     | PRIMARY TANK WORKING VENT            |
| 6    | 18"    | ABOVE LIQUID MANHOLE, DWG."MHBO05"   |
| 7    | 2"     | MECHANICAL GAUGE/SPARE               |
| 8    | 8"     | PRIMARY TANK EMERGENCY VENT          |
| 9    | 4"     | SPARE                                |
| 10   | 2"     | RETURN                               |
| 11   | 2"     | SUPPLY                               |
| 12   | LARGE  | LIFTING LUG                          |
| 13   | 8"     | SECONDARY CONTAINMENT EMERGENCY VENT |
| 14   | 2"     | SECONDARY MONITOR PORT               |
| 15   | 2"     | SECONDARY WORKING VENT               |



**TANK SPECIFICATIONS**  
 VENTING CAPACITY: PRIMARY TANK - 392,000 CUBIC FEET PER HOUR  
 SECONDARY TANK - 392,000 CUBIC FEET PER HOUR  
 MATERIAL: PRIMARY TANK - 1/4" THICK  
 SECONDARY TANK - 3/16" THICK



| PRODUCT CODE   | GALLONS | DESCRIPTION                                 | OVERALL SIZE                | SHIP WT.    |
|--|---------|---|-----------------------------|-------------|
| GCAA108MDS001  | 8,000   | UL-142 DOUBLE WALL GEN CUBE TANK W/SPILLBOX | 19'-11" L X 8'-0" W 8'-1" H | 14,000 LBS. |
| THIS DRAWING AND DESIGN SHOWN HEREIN IS THE PROPERTY OF CONTAINMENT SOLUTIONS. USE OR COPIES THEREOF CANNOT BE MADE WITHOUT WRITTEN CONSENT. |         |   |                             |             |
| CUSTOMER NAME  |         | APPROVED BY: _____                          |                             | DATE: _____ |

**CONTAINMENT SOLUTIONS®**

DRAWN BY: D.ROVANG      DATE DRAWN: 01-01-14  
 DWG NUMBER: 5104015      SCALE: 1:60  
 REV:    REV BY:    DATE:    SHEET: 1 OF 1