

VERTICAL WATER TANKS

LARGE VOLUME ABOVEGROUND FIBERGLASS TANK



Vertical fiberglass water storage tanks, from Containment Solutions, are ideal for applications where aesthetics are not critical or when underground installation is not feasible.

WHY FIBERGLASS?

Fiberglass tanks are inherently non-corrosive and essentially maintenance free. Since fiberglass does not chip, crack, or rust; your tank will last for a long time. Our tanks are sought after because of their ability to safely handle potable and non-potable water without the need for liners. Fiberglass is also lightweight so compared to steel or concrete, our tanks are an easy to ship, cost-effective alternative.

For over 45 years Containment Solutions has designed and built long-lasting, durable storage products making us the largest American fiberglass tank manufacturer.

TYPICAL APPLICATIONS:

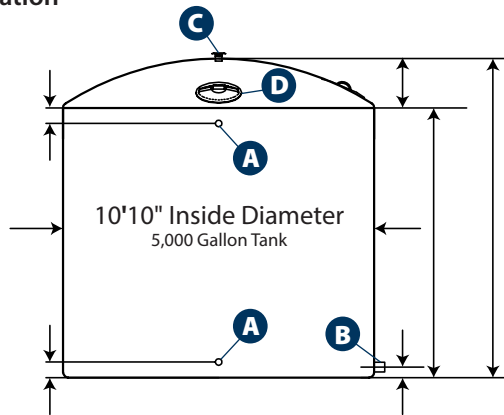
- Rainwater Harvesting
- Agricultural & Industrial Water Supply
- Stormwater Collection/Dispersal
- Fire Protection Water Storage
- Potable Water Storage
- Farm & Ranch Water Storage



CSI vertical tanks are available in potable and non-potable models and can be equipped with numerous accessories to fit any design need.

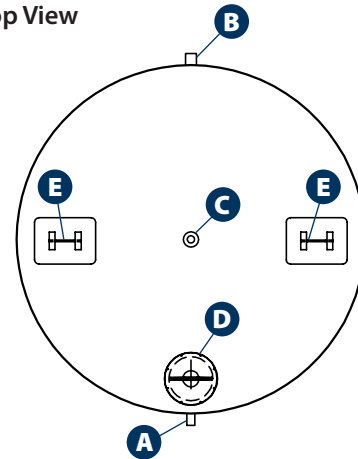
TYPICAL INSTALLATION

Elevation



- A.** 2" Threaded Half Coupling
- B.** 3" Threaded Half Coupling
- C.** 2" Tank Vent
- D.** 18" Manway
- E.** Lift Lug

Top View



The top view is the true orientation of the tank. Items in the elevation view may be rotated for clarity.

TANK SIZES & CAPACITIES

CAPACITY (GALLONS)	CYLINDER HEIGHT	TANK HEIGHT	DIAMETER
20,000	14' 2"	16' 6"	15'6"
18,000	12' 10"	15' 2"	15'6"
16,000	19' 0"	20' 10"	12'
14,000	16' 8"	18' 6"	12'
12,000	14' 4"	16' 2"	12'
10,000	11' 10"	13' 8"	12'
9,000	15' 4"	16' 11"	10'
8,000	13' 8"	15' 3"	10'
7,000	12' 0"	13' 7"	10'
6,000	10' 4"	11' 11"	10'
5,000	8' 8"	10' 3"	10'
4,000	10' 8"	12' 0"	8'
3,000	8' 0"	9' 4"	8'
2,500	6' 8"	8'	8'
2,000	9' 6"	10' 7"	6'
1,750	8' 4"	9' 5"	6'
1,500	7' 2"	8' 3"	6'
1,250	6' 0"	7' 1"	6'

