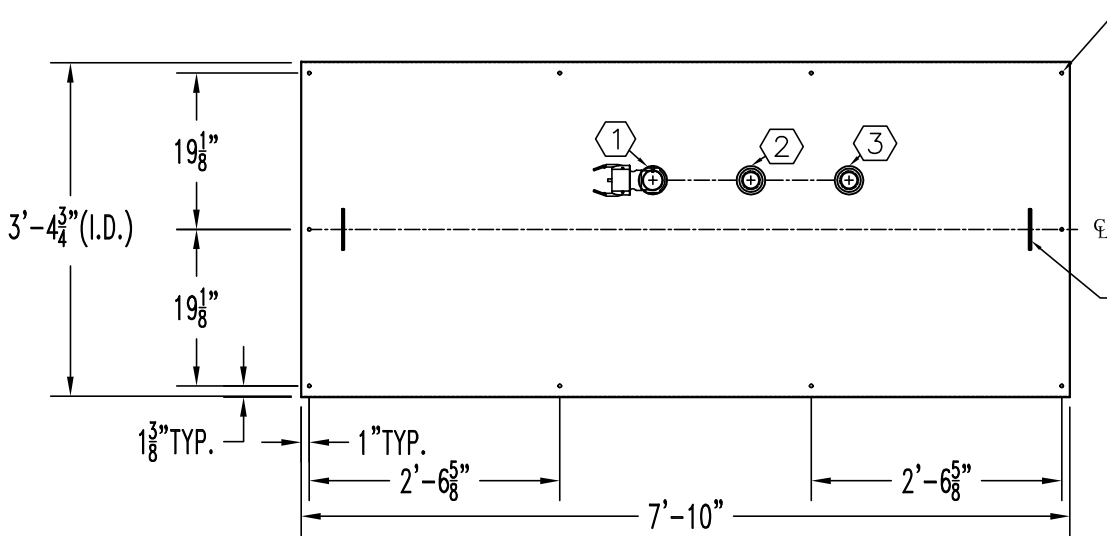


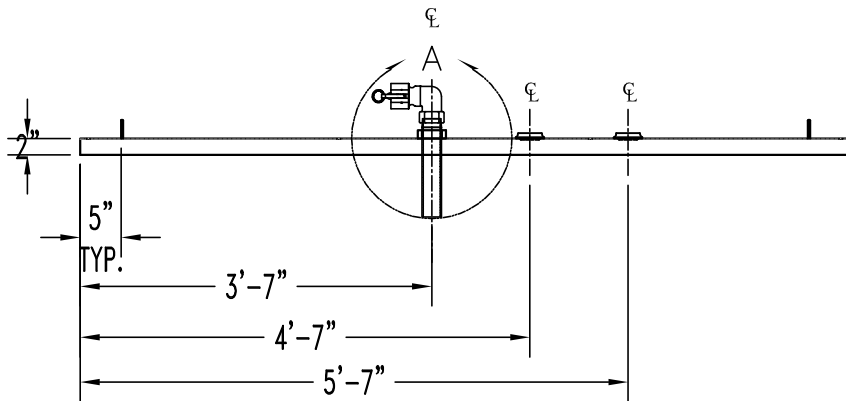
ITEM	SIZE	SUGGESTED FUNCTION
1	2"	OIL PUMP OUT
2	2"	SENSOR/SPARE
3	2"	WORKING VENT

**SPECIFICATIONS**  
MATERIAL: COVER - 10 GA.

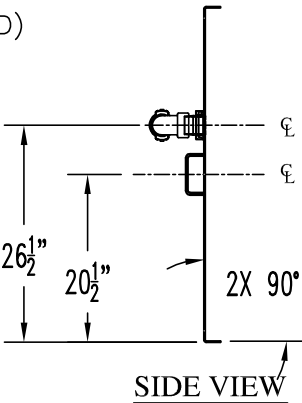


**TOP VIEW**

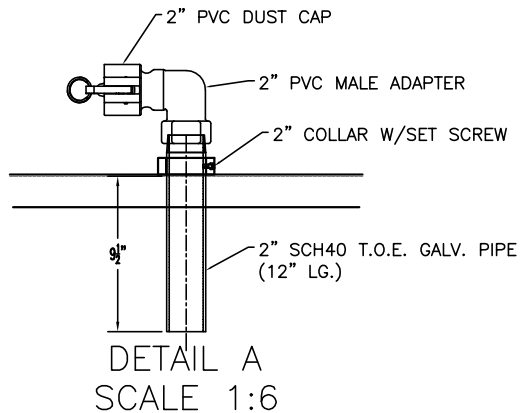
\*TACK WELD ALL FITTINGS FAR SIDE



**ELEVATION**



**SIDE VIEW**



**DETAIL A**  
SCALE 1:6

PRODUCT CODE	GALLONS	DESCRIPTION	OVERALL SIZE	SHIP WT.
CVB003	500	COVER FOR OIL WATER SEPARATOR (50 GPM)	7'-10" L X 3'-5" W X 2" H	
THIS DRAWING AND DESIGN SHOWN HEREIN IS THE PROPERTY OF CONTAINMENT SOLUTIONS. USE OR COPIES THEREOF CANNOT BE MADE WITHOUT WRITTEN CONSENT.				
CUSTOMER NAME	<b>APPROVED</b> BY: _____		DATE: _____	

**CONTAINMENT SOLUTIONS®**

DRAWN BY: D. ROVANG	DATE DRAWN: 01-01-14
DWG NUMBER: CVB003	SCALE: 1:32
REV: _____	REV BY: _____
DATE: _____	SHEET: 1 OF 1