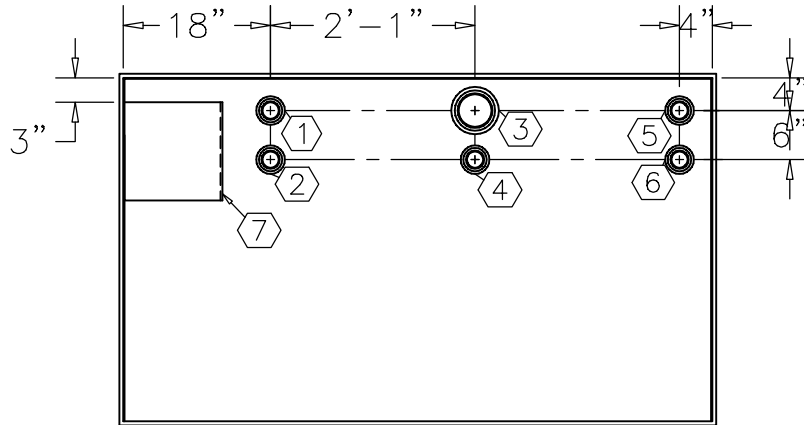


NOTE:
 OVERALL SHIPPING DIMENSION: 6'-1" L X 4'-3" W X 3'-0" H

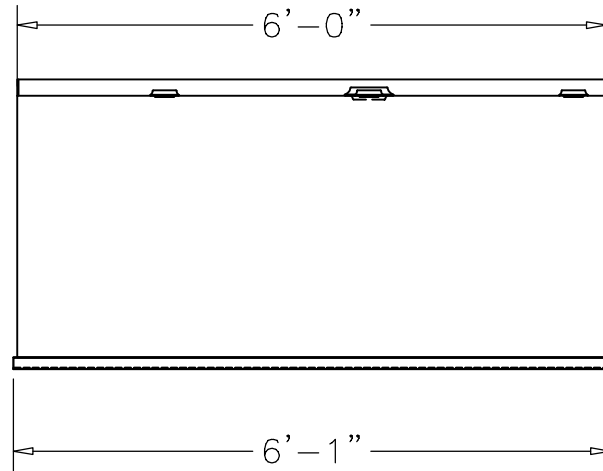
ITEM	SIZE	SUGGESTED FUNCTION
1	2"	PUMP SUPPLY
2	2"	SPARE
3	4"	PRIMARY TANK EMERGENCY VENT
4	2"	MECHANICAL GAUGE/ SPARE
5	2"	PRIMARY TANK WORKING VENT
6	2"	FILL
7	12" X 12"	PUMP BRACKET, DWG."PBB002"

TANK SPECIFICATIONS

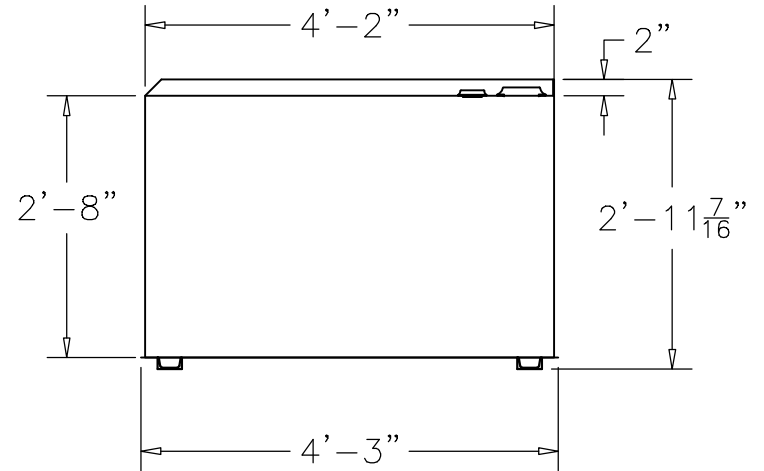
VENTING CAPACITY: PRIMARY TANK - 84,200 CUBIC FEET PER HOUR
 MATERIAL: PRIMARY TANK - 10 GA.



TOP VIEW



ELEVATION



END VIEW

PRODUCT CODE	GALLONS	DESCRIPTION	OVERALL SIZE	SHIP WT.
BTAA1500SS000	500	UL-142 SINGLE WALL BENCHTOP TANK	6'-1" L X 4'-3" W X 3'-0" H	750 LBS.



THIS DRAWING AND DESIGN SHOWN HEREIN IS THE PROPERTY OF CONTAINMENT SOLUTIONS. USE OR COPIES THEREOF CANNOT BE MADE WITHOUT WRITTEN CONSENT.

CUSTOMER NAME: _____
APPROVED BY: _____ DATE: _____

DRAWN BY: D. ROVANG	DATE DRAWN: 01-01-14
DWG NUMBER: 5100234	SCALE: 1:24
REV: _____	REV BY: _____
DATE: _____	SHEET: 1 OF 1