

F

E

D

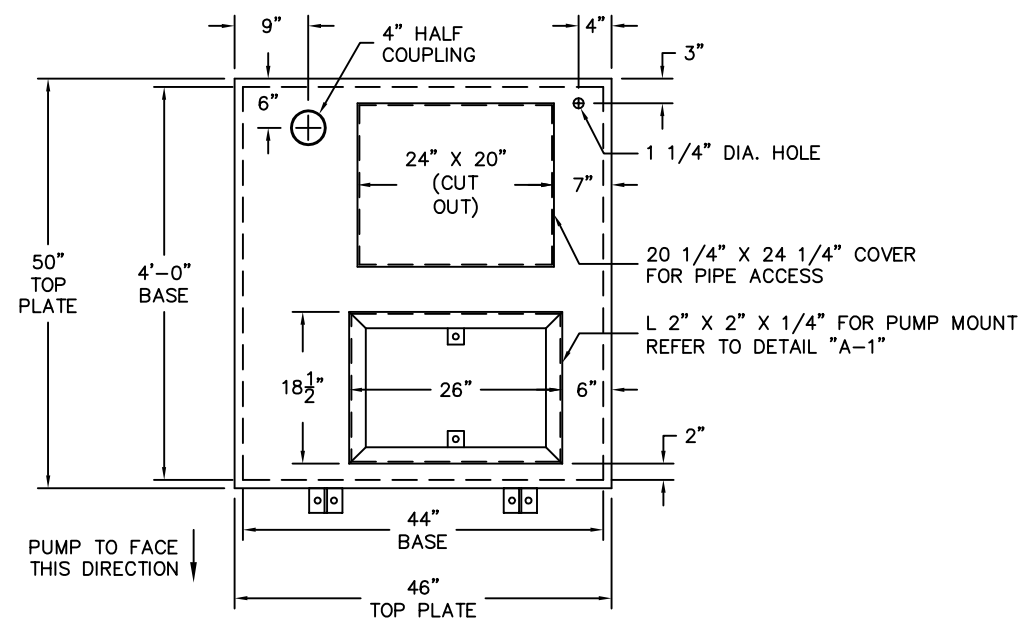
C

B

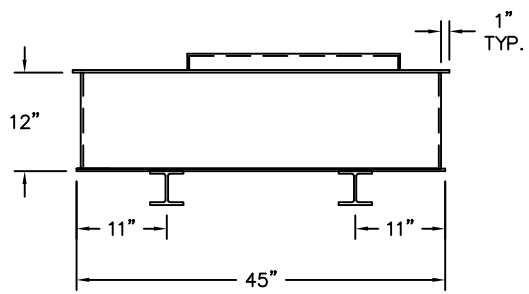
A

**TANK THIS END**

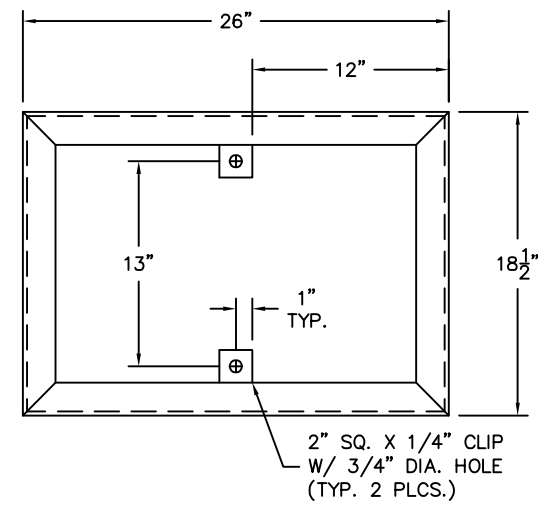
**PUMP CONTAINMENT PLATFORM**



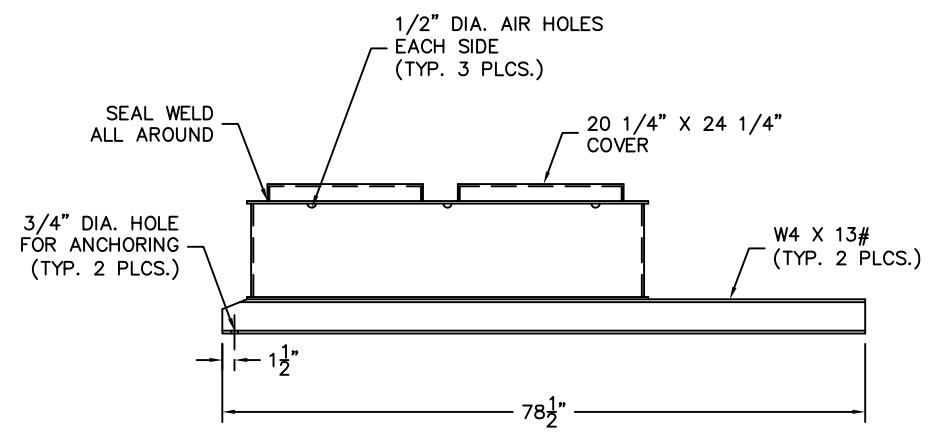
**TOP VIEW**



**ELEVATION**



**DETAIL A-1**  
SCALE: NONE



**SIDE VIEW**

**NOTES:**

1. PUMP PLATFORM SHALL BE CARBON STEEL.
2. PUMP PLATFORM SHALL BE WELDED TO TANK.
3. INSTALLER TO DRILL HOLES FOR MOUNTING PUMP.
4. EXTERIOR COATING SHALL BE SAME AS TANK, UNLESS NOTED.

PRODUCT CODE	GALLONS	DESCRIPTION	OVERALL SIZE	SHIP WT.
PLB002		PUMP CONTAINMENT PLATFORM (9152A/9153A)	3'-8" L X 4'-0" W X 1'-0" H	

THIS DRAWING AND DESIGN SHOWN HEREIN IS THE PROPERTY OF CONTAINMENT SOLUTIONS. USE OR COPIES THEREOF CANNOT BE MADE WITHOUT WRITTEN CONSENT.

CUSTOMER NAME \_\_\_\_\_ **APPROVED** BY: \_\_\_\_\_ DATE: \_\_\_\_\_

**CONTAINMENT SOLUTIONS®**

DRAWN BY: D. ROVANG DATE DRAWN: 01-01-14  
 DWG NUMBER: PLB002 SCALE:  
 REV: REV BY: DATE: SHEET: 1 OF 1