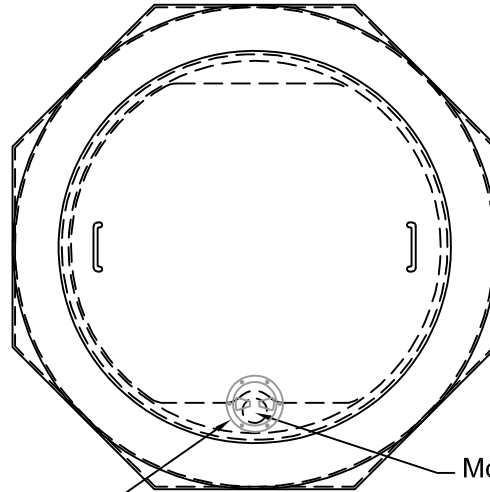


DOUBLE-WALL POLYGON TANK SUMP

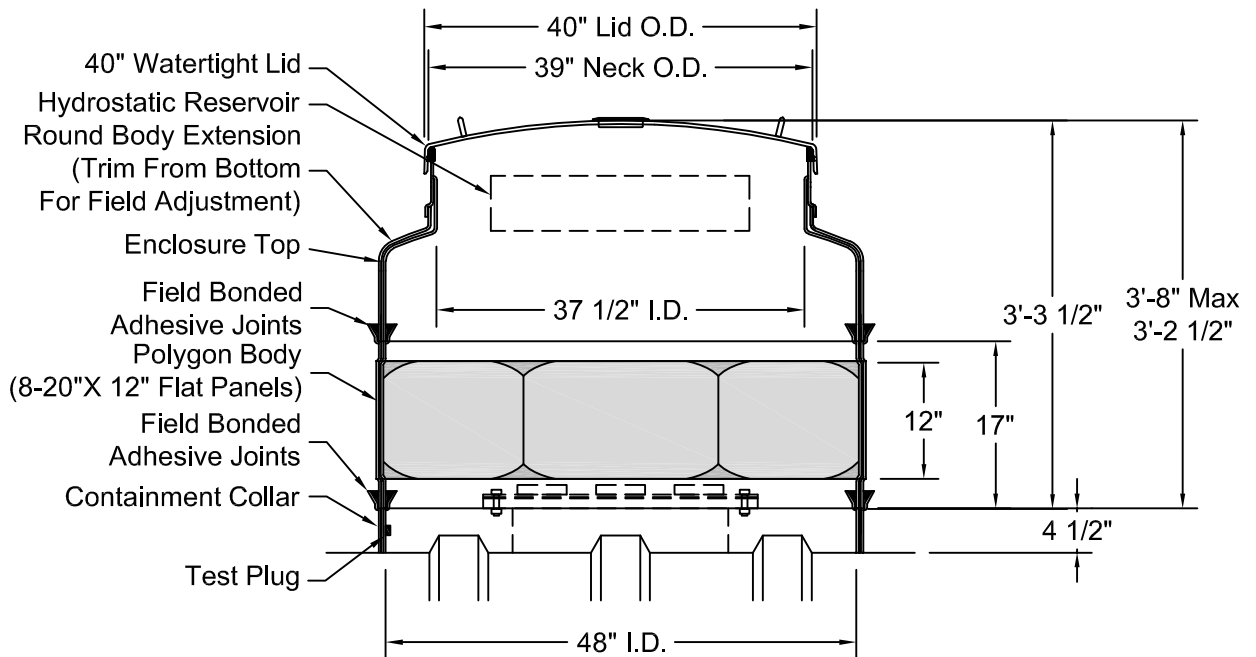
MODEL DW PTS (WT40) 48/8

(Short Bury Watertight Turbine Sump)



Optional 4" Inspection Port

Monitoring Sensor



Approval Signature: _____

Approval Date: _____

Project Name: _____

P.O Number: _____

Qty Req'd: _____

Body Ext Length: _____



CONTAINMENT
SOLUTIONS®

DW PTS (WT40) 48_8SBS.DWG
02/2017