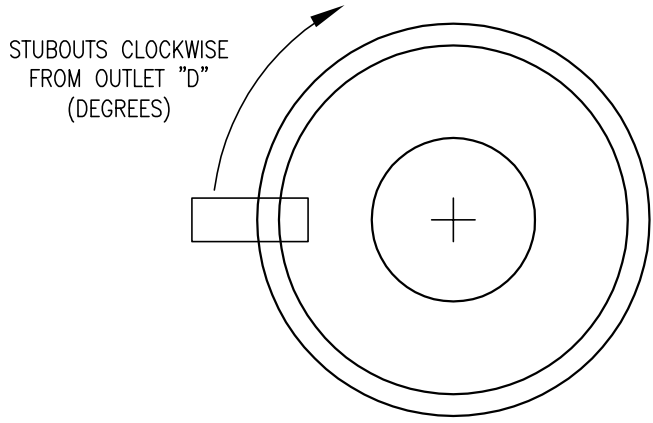
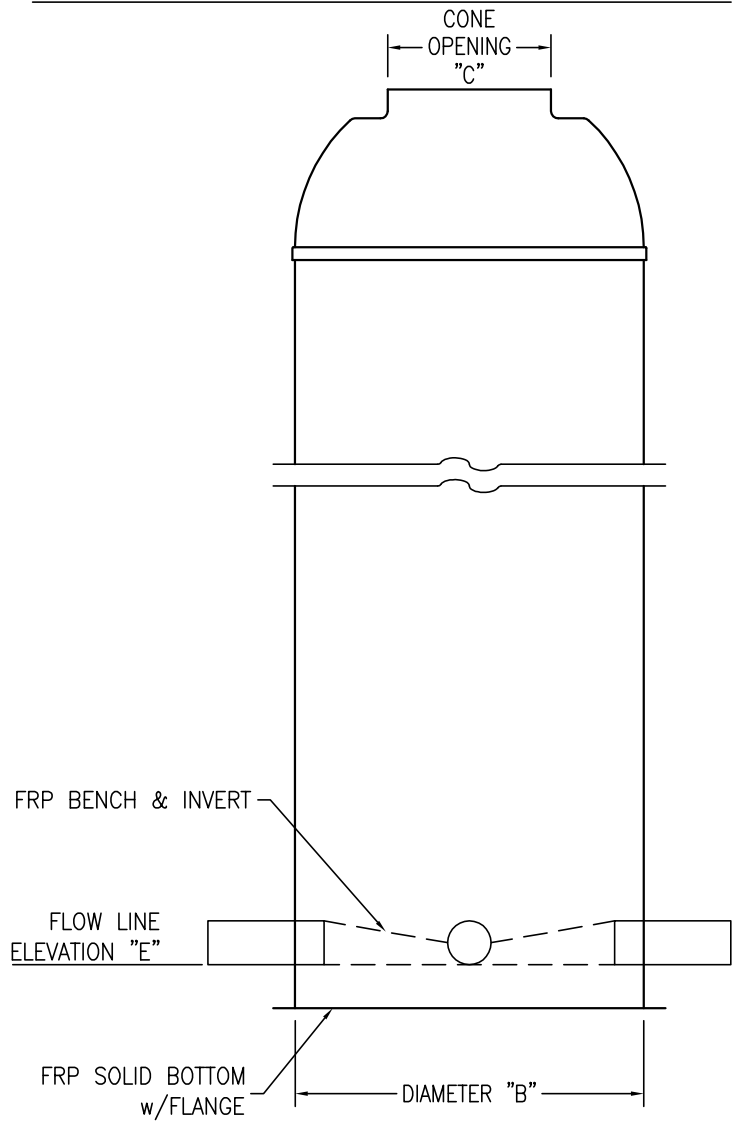


# STANDARD FIBERGLASS MANHOLE w/FIBERGLASS BOTTOM. BENCH & INVERT (UP TO 72" DIAMETER)



GRADE ELEVATION "A"



JOB NAME				
MH #	STA #	GRADE ELEVATION "A"	MH DIA "B"	CONE OPENING "C"
DEGREES CLOCKWISE FROM OUTLET "D"	FLOW LINE ELEVATION "E"	PIPE SIZE (DIA.)	PIPE TYPE	STUBOUT TYPE (BELL, SPIGOT, BOOT ETC.)