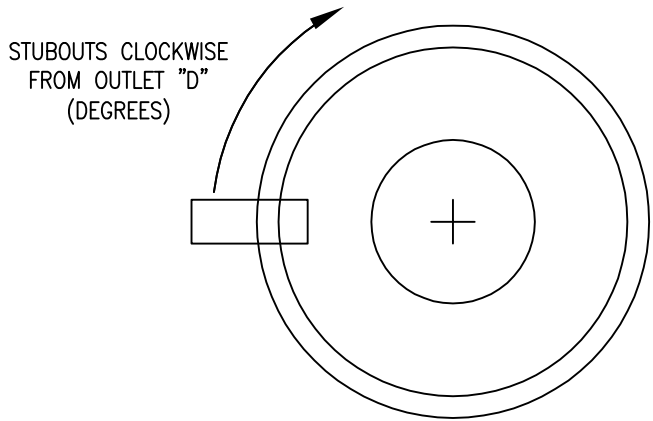
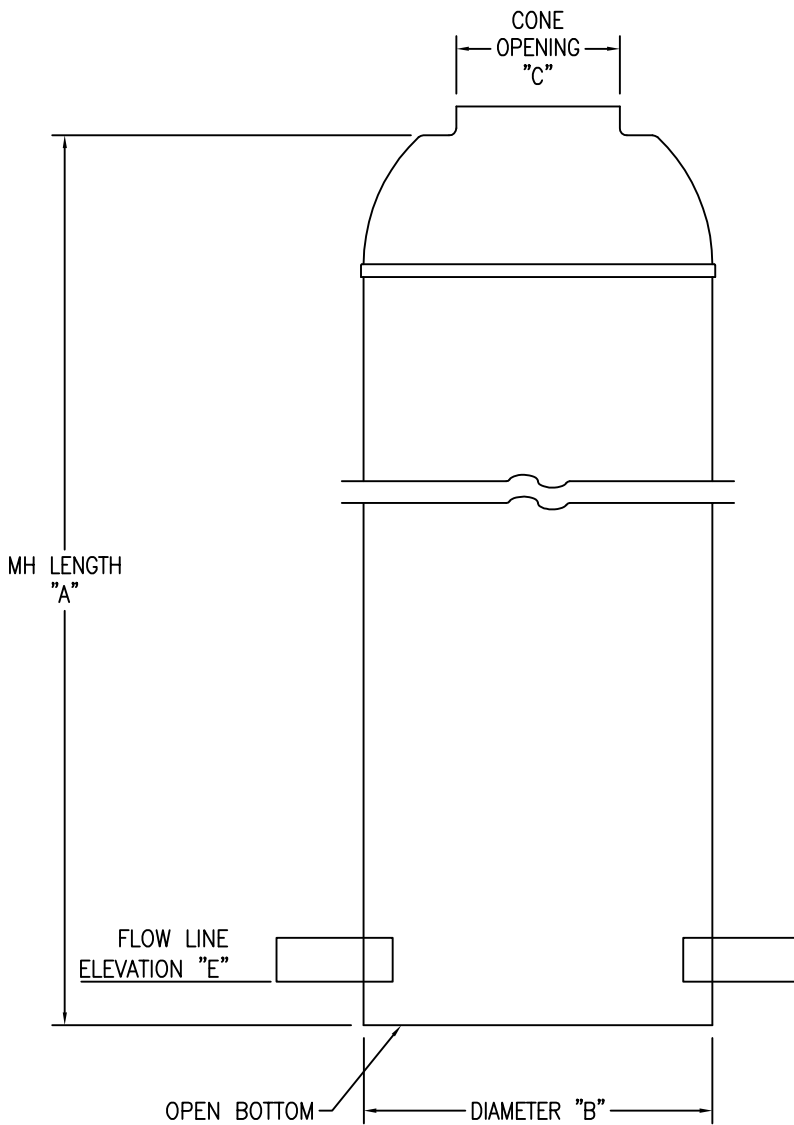


STANDARD FIBERGLASS MANHOLE w/OPEN BOTTOM (UP TO 72" DIAMETER)



GRADE ELEVATION "A"



JOB NAME				
MH #	STA #	GRADE ELEVATION "A"	MH DIA "B"	CONE OPENING "C"
DEGREES CLOCKWISE FROM OUTLET "D"	FLOW LINE ELEVATION "E"	PIPE SIZE (DIA.)	PIPE TYPE	STUBOUT TYPE (BELL, SPIGOT, BOOT ETC.)



CONTAINMENT
SOLUTIONS[®]

MH-72 OPEN 1/1/2015