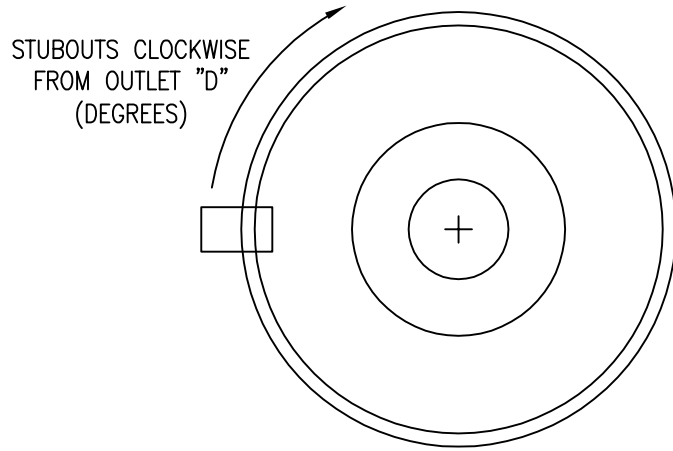
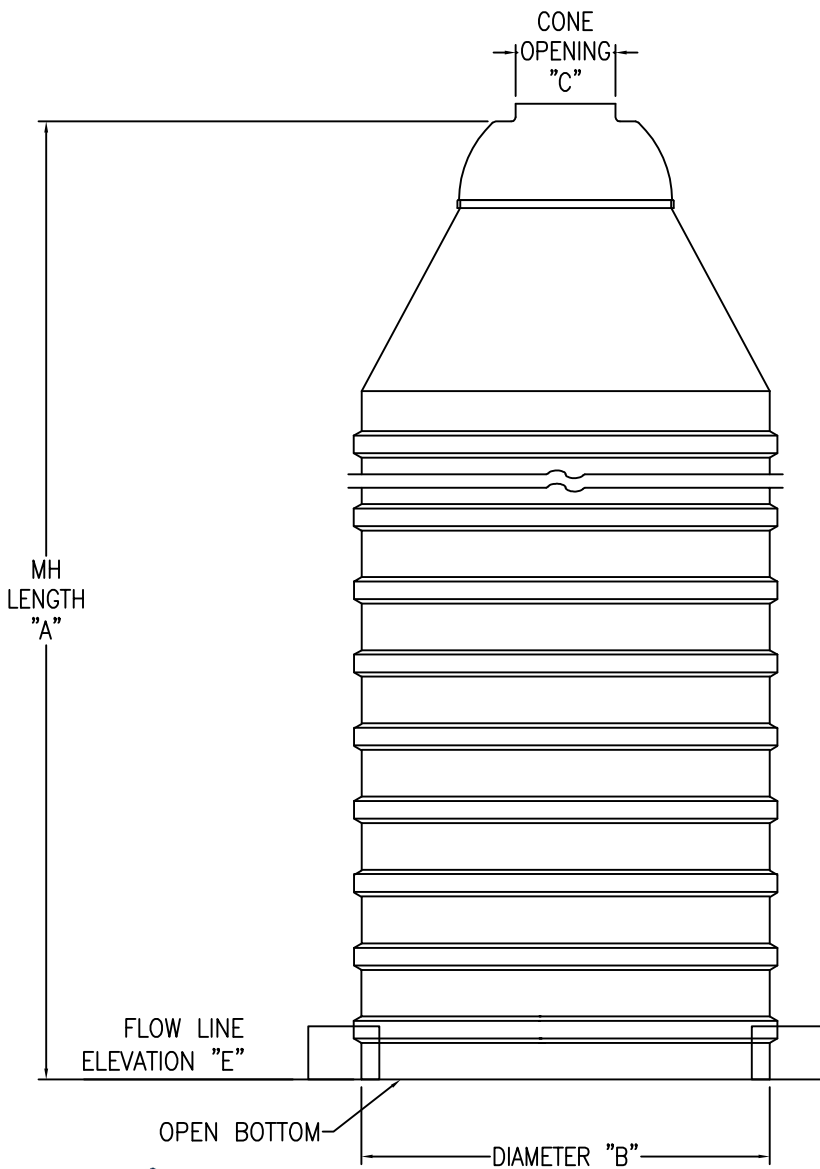


# STANDARD FIBERGLASS MANHOLE w/OPEN BOTTOM (LARGER THAN 72" DIAMETER)



GRADE ELEVATION "A" \_\_\_\_\_



JOB NAME				
MH #	STA #	GRADE ELEVATION "A"	MH DIA "B"	CONE OPENING "C"
DEGREES CLOCKWISE FROM OUTLET "D"	FLOW LINE ELEVATION "E"	PIPE SIZE (DIA.)	PIPE TYPE	STUBOUT TYPE (BELL, SPIGOT, BOOT ETC.)



**CONTAINMENT SOLUTIONS**

MH-92 OPEN 1/1/2015