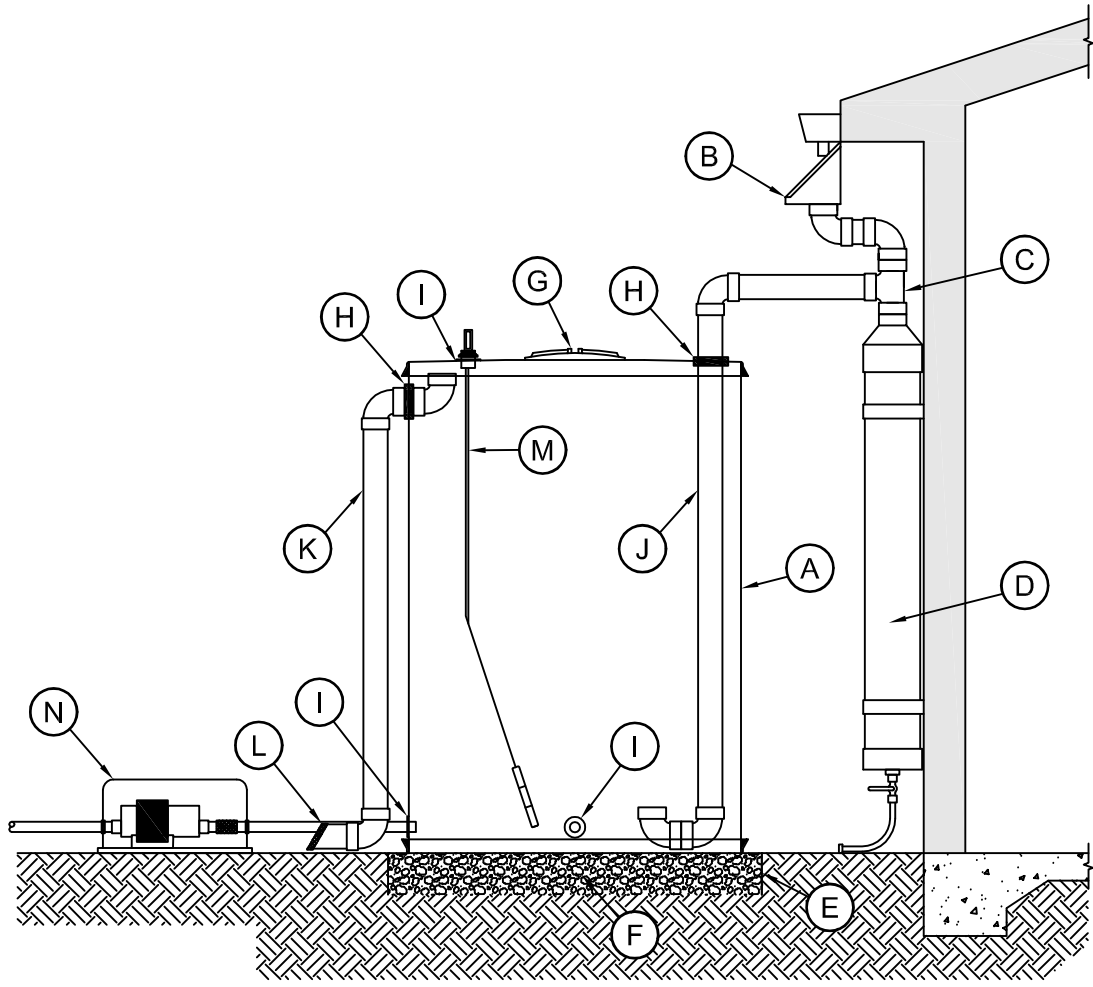


MARK	EQUIPMENT LISTING AND SUPPLIER	CSI	CUSTOMER	MARK	EQUIPMENT LISTING AND SUPPLIER	CSI	CUSTOMER
A	CSI ABOVEGROUND FIBERGLASS RWH TANK	*		H	4" PVC PIPE GROMMETS (INLET & OVERFLOW)	*	
B	LEAF / DEBRIS RAIN HEAD	*		I	1-1/2" THREADED ACCESSORY FITTINGS	*	
C	4" PVC DOWNSPOUT PIPING w/ TANK INLET		*	J	4" PVC INLET PIPE ASSEMBLY		*
D	PVC FIRST FLUSH DIVERTER w/ DRAIN ASSEMBLY	*		K	4" PVC OVERFLOW AND VENT ASSEMBLY		*
E	6" FRP GRAVEL RING	*		L	STAINLESS STEEL FLAP SCREEN	*	
F	APPROVED GRAVEL OR CRUSHED STONE		*	M	LIQUID LEVEL GAUGE	*	
G	12" dia ACCESS OPENING w/ COVER	*		N	WATER USE PUMPING SYSTEM w/ INLINE PARTICLE FILTER		*



TYPICAL ILLUSTRATION DRAWING
RESIDENTIAL RAINWATER HARVESTING

THIS DRAWING IS FOR ILLUSTRATIVE PURPOSES ONLY. IT IS THE RESPONSIBILITY OF THE PURCHASER AND/OR ENGINEER TO DESIGN A SYSTEM IN COMPLIANCE WITH ALL GOVERNING MUNICIPAL CODES.

