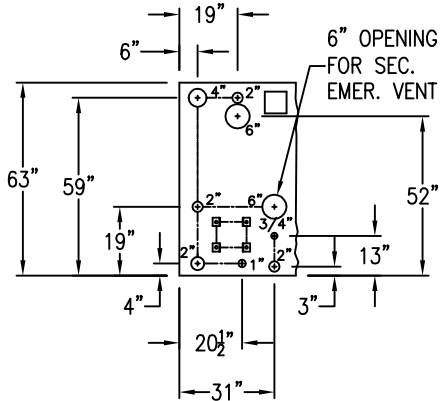
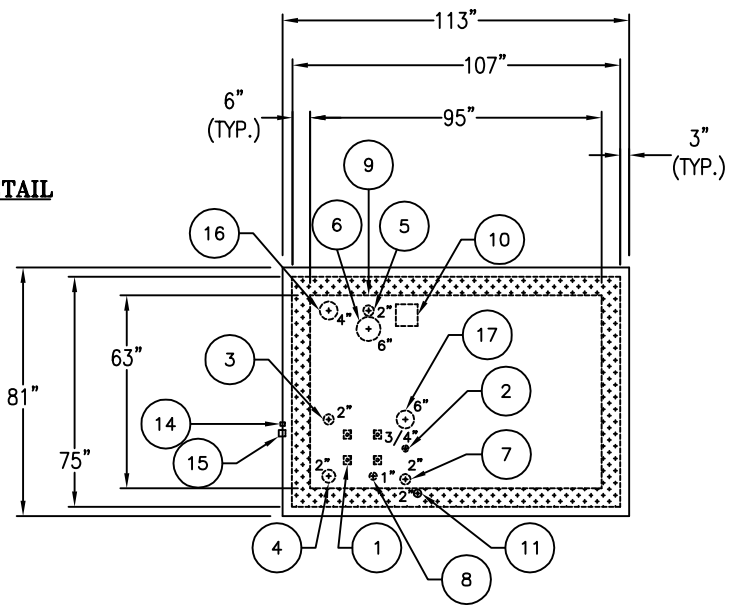


PUMP MOUNT DETAIL

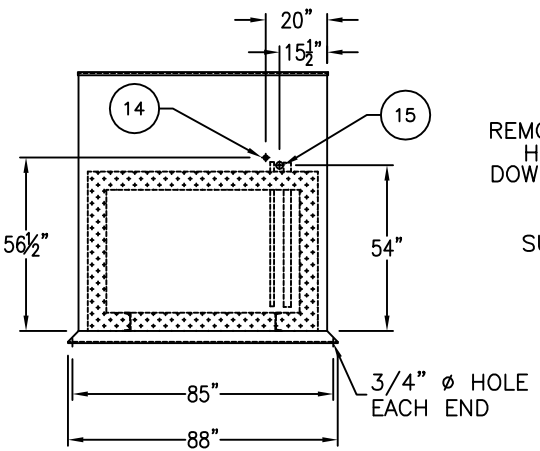


TOP OPENINGS LAYOUT

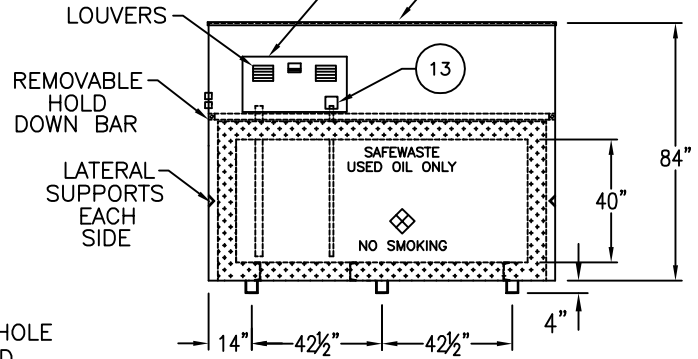


TOP VIEW

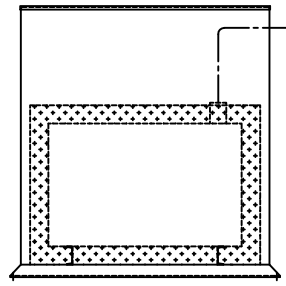
BOLTED REMOVABLE COVER (BOLTING REMOVABLE FROM INSIDE ONLY)



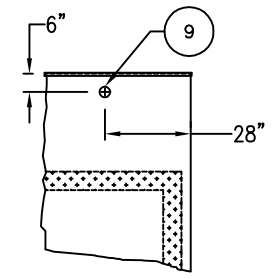
LEFT END VIEW



ELEVATION



RIGHT END VIEW



BACK VIEW

NOTE:
ALL INTERNAL PIPING TO BE DONE IN SHOP

PARTLIST(LUBECUBE)		
FIND#	DESCRIPTION	QTY.
1	PUMP MOUNT ANGLES	4
2	3/4" OPENING FOR PRODUCT DISCHARGE	1
3	2" AUTOMATIC AIR OPERATED HIGH LEVEL SHUT-OFF VALVE WITH WHISTLE FOR DIAPHRAGM PUMP	1
4	2" SUCTION TUBE WITH KAMLOCK AND DUSTCAP FOR PRODUCT WITHDRAWAL	1
5	2" PRIMARY WORKING VENT	1
6	6" PRIMARY EMERGENCY VENT	1
7	2" PRODUCT LEVEL GAUGE	1
8	1" OPENING FOR SAMPLING	1
9	3 1/8" HOLE FOR VENT PIPE	1
10	U/L LABEL	1
11	ANNULAR SPACE MONITORING	1
12	18" X 34" CABINET ACCESS DOOR	1
13	PLEXIGLASS VIEW PORT	1
14	1/2" FULL COUPLING FOR AIR SUPPLY HOSE	1
15	3/4" FULL COUPLING FOR PRODUCT SUCTION	1
16	4" SPARE WITH PVC PLUG	1
17	6" SECONDARY EMERGENCY VENT	1

*SEE ORDER ENTRY FOR PAINT & EQUIPMENT

PRODUCT CODE	GALLONS	DESCRIPTION	OVERALL SIZE	SHIP WT.
SWAA101MVS000	1,000	SAFEWASTE (FIRE-RATED)	9'-5" L X 6'-9" W X 7'-4" H	10,800 LBS

THIS DRAWING AND DESIGN SHOWN HEREIN IS THE PROPERTY OF CONTAINMENT SOLUTIONS. USE OR COPIES THEREOF CANNOT BE MADE WITHOUT WRITTEN CONSENT.

CUSTOMER NAME: _____ APPROVED BY: _____ DATE: _____

CONTAINMENT SOLUTIONS

DRAWN BY: D. ROVANG	DATE DRAWN: 05-01-02
DWG NUMBER: 100216	SCALE:
REV:	REV BY:
DATE:	SHEET: 1 OF 1