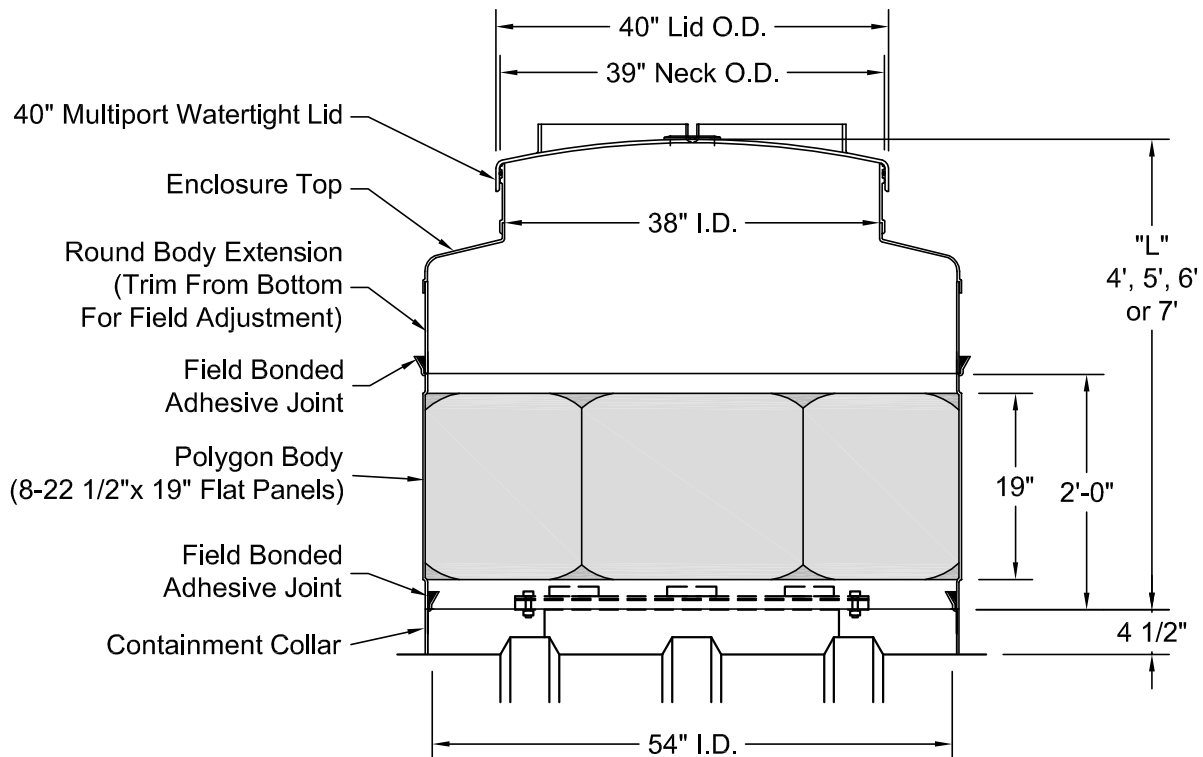
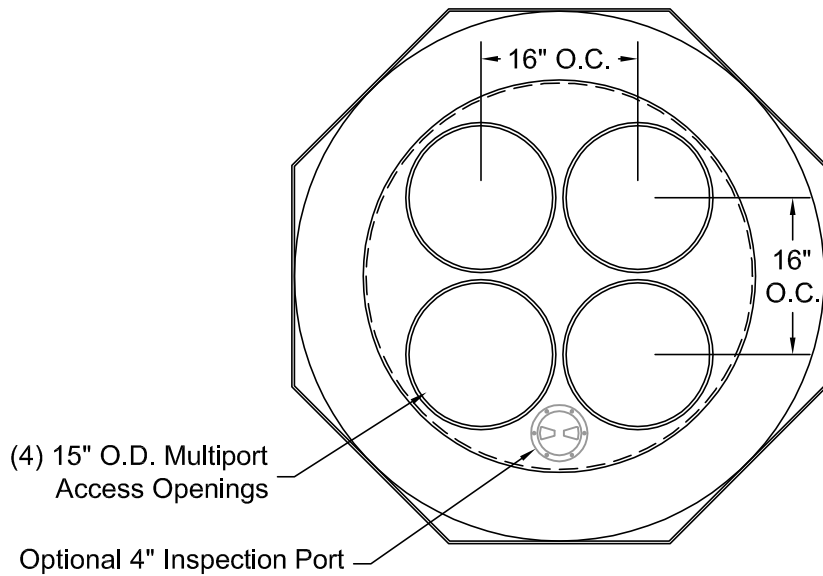


SINGLE-WALL POLYGON TANK SUMP

MODEL SW PTS (WT40) 54/8 (FV4/15/16)

(Fill/Vapor Sump-OPW)



Approval Signature: _____

Approval Date: _____

Project Name: _____

P.O Number: _____

Qty Req'd: _____

Body Ext Length: _____



CONTAINMENT SOLUTIONS®

SW PTS (WT40) 54_8S (FV4 15 16).DWG
4/2012-12/2015