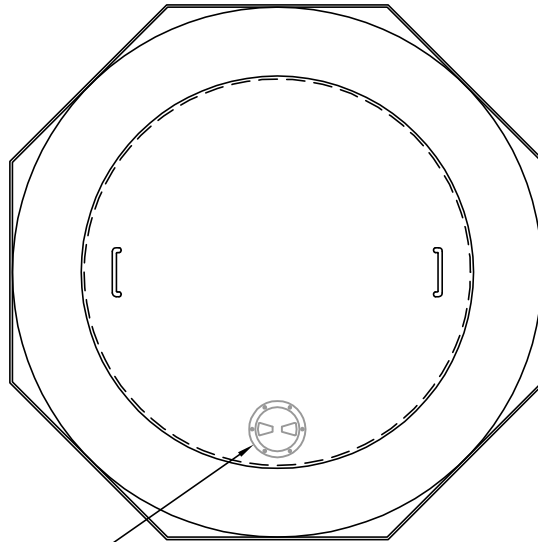


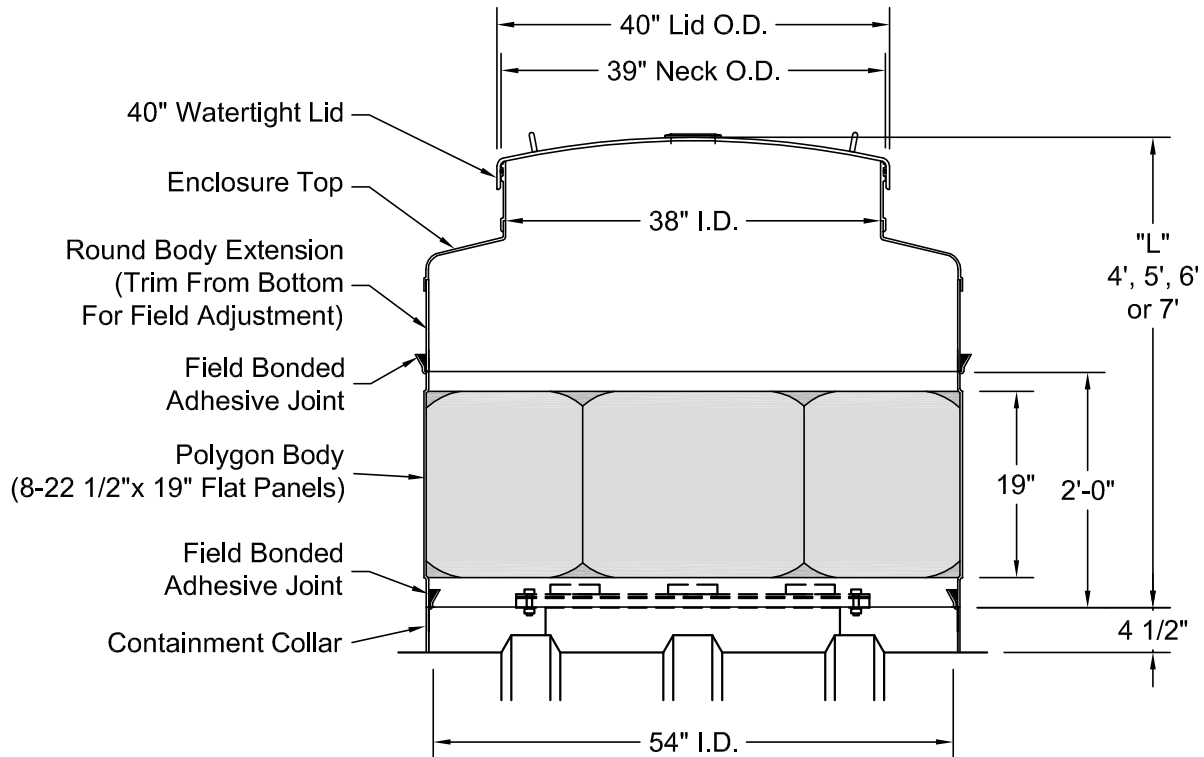
SINGLE-WALL POLYGON TANK SUMP

MODEL SW PTS (WT40) 54/8

(Turbine Sump)



Optional 4" Inspection Port



Approval Signature:	_____
Approval Date:	_____
Project Name:	_____
P.O Number:	_____
Qty Req'd:	_____
Body Ext Length:	_____



CONTAINMENT SOLUTIONS

SW PTS (WT40) 54_8S.DWG
4/2012-12/2015