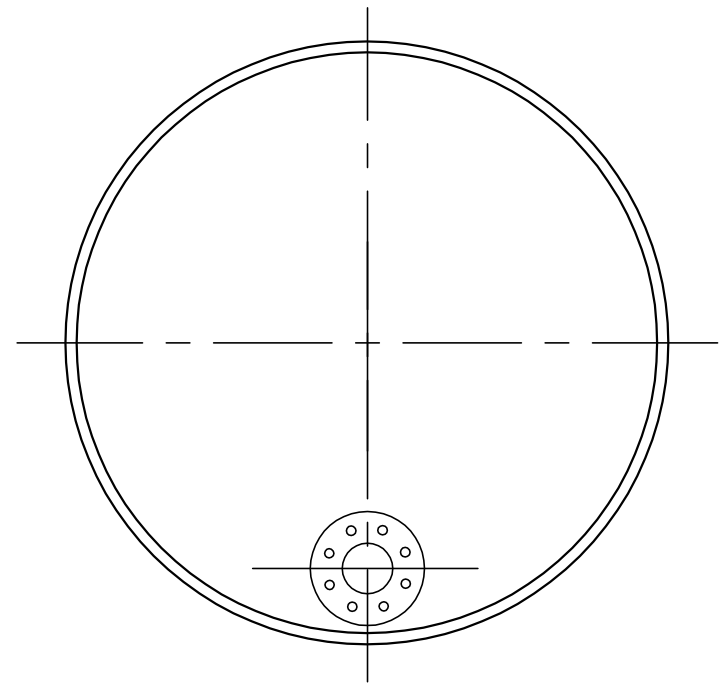
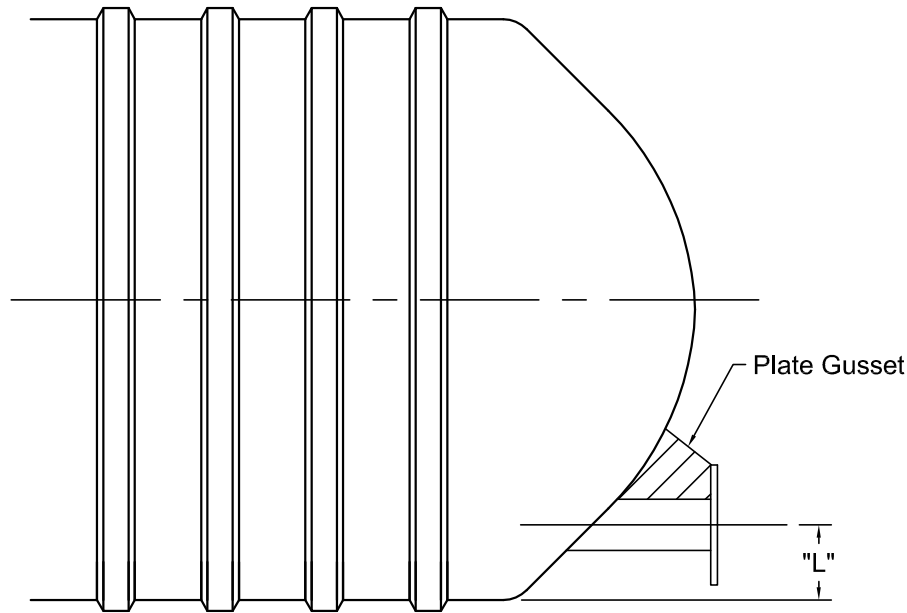


Tangentially Mounted Flanged Nozzle (Bottom Mounted)

Nozzle Placement	
Nozzle Dia.	Nozzle Height "L"
2"	2"
4"	4"
6"	6"
8"	6"
10"	8"
12"	8"
14"	10"
16"	10"



Note: ANSI Bolt Pattern Standard On All Tangentially Mounted Flanged Nozzles.



CONTAINMENT
SOLUTIONS®

TANG NOZZLE (BOTTOM).DWG 11/2006