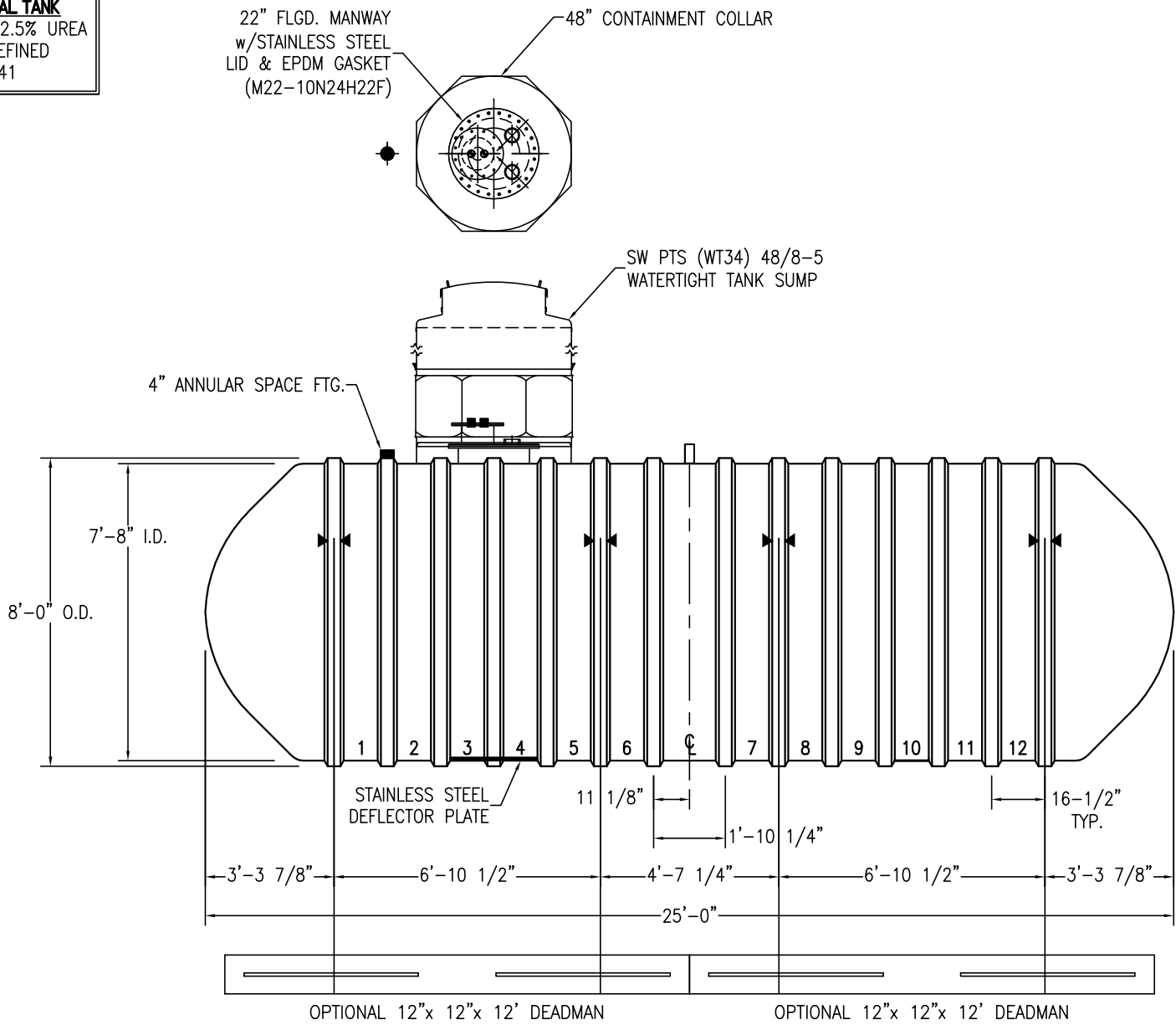


UREA-DEF CHEMICAL TANK
 PRODUCT STORED: 32.5% UREA
 SOLUTION AS DEFINED
 IN ISO 22241

NOTE:
 **FOLLOW UREA DEF
 SUPPLEMENTAL INSTRUCTIONS
 **SEE SPEC #PE-C22.88



- NOTES:**
- ▶◀ HOLD DOWN STRAP LOCATION
 - TYPE "13" LIFT LUG - SD
 - TYPE "13" LIFT LUG - HD

MODEL DWT 6 (8) 8000		DATE: 1/1/2014
UREA DEF CHEMICAL TANK		DRAWN BY:
CONTAINMENT SOLUTIONS	CAPACITY: 7,796	REVISED: 7/21/2015
	WEIGHT: 5000	DWG NUMBER: UDE8-8DWS