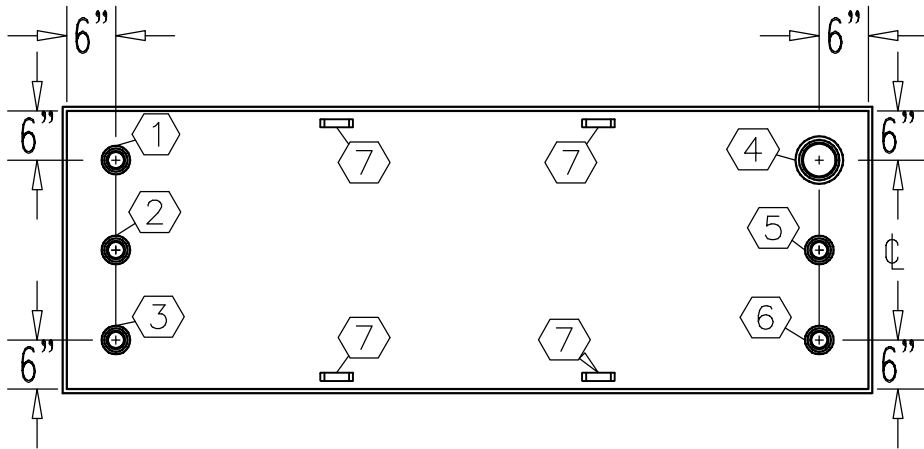
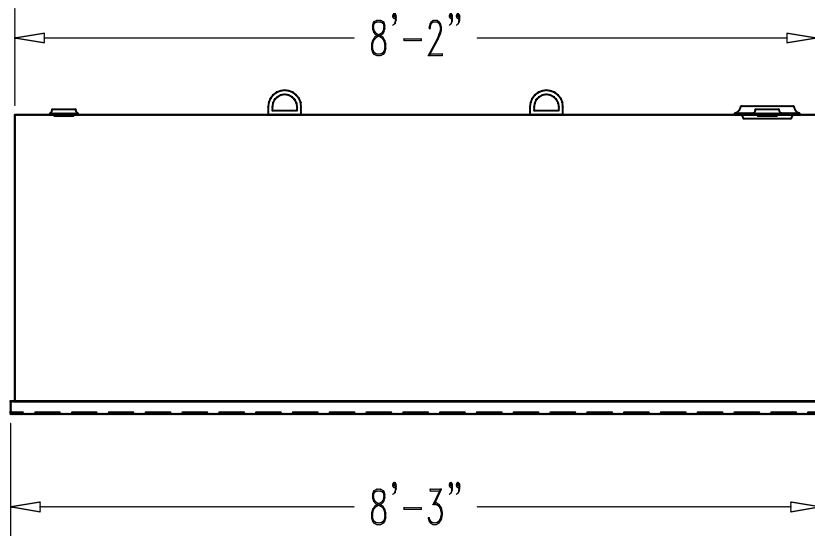


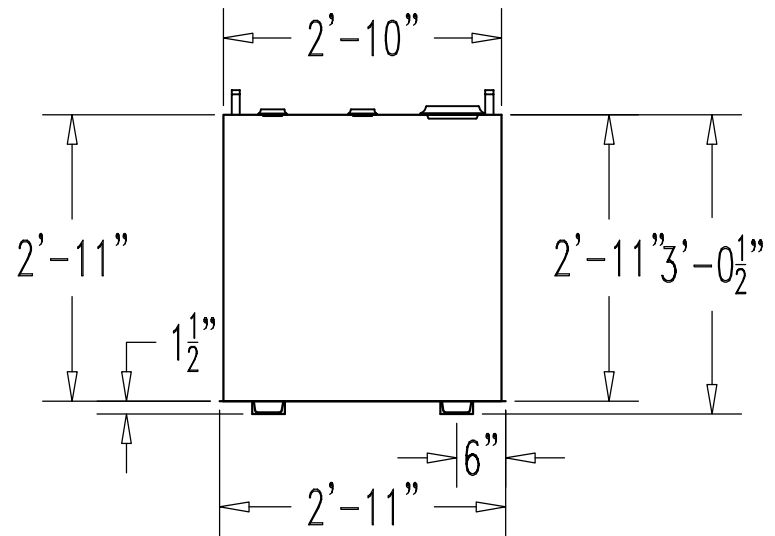
NOTE:
OVERALL SHIPPING DIMENSION: 8'-3" L X 2'-11" W X 3'-4" H



TOP VIEW



ELEVATION VIEW



END VIEW

ITEM	SIZE	SUGGESTED FUNCTION
1	2"	SPARE
2	2"	MECHANICAL GAUGE/ SPARE
3	2"	FILL
4	4"	PRIMARY TANK EMERGENCY VENT
5	2"	PRIMARY TANK WORKING VENT
6	2"	PUMP/SPARE
7	SMALL	LIFTING LUG

TANK SPECIFICATIONS
VENTING CAPACITY: 168,000 CUBIC FEET PER HOUR
MATERIAL: PRIMARY TANK - 3/16" THK.

PRODUCT CODE	GALLONS	DESCRIPTION	OVERALL SIZE	SHIP WT.
UCAA1500SS000	500	UL-142 SINGLE WALL UNDER CATWALK TANK	8'-3" L X 2'-11" W X 3'-1" H	1,475 LBS.
THIS DRAWING AND DESIGN SHOWN HEREIN IS THE PROPERTY OF CONTAINMENT SOLUTIONS. USE OR COPIES THEREOF CANNOT BE MADE WITHOUT WRITTEN CONSENT.				
CUSTOMER NAME	APPROVED BY: _____		DATE: _____	

CONTAINMENT SOLUTIONS

DRAWN BY: D. ROVANG	DATE DRAWN: 01-01-14
DWG NUMBER: 5100226	SCALE: 1:36
REV: _____	REV BY: _____
DATE: _____	SHEET: 1 OF 1