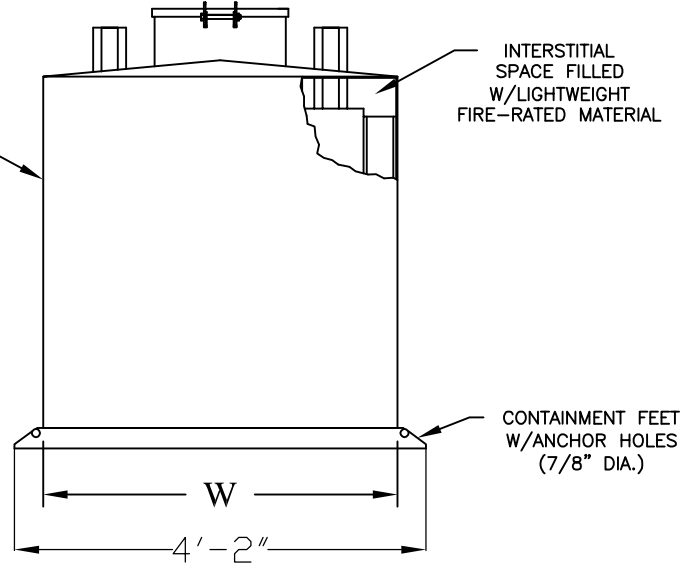
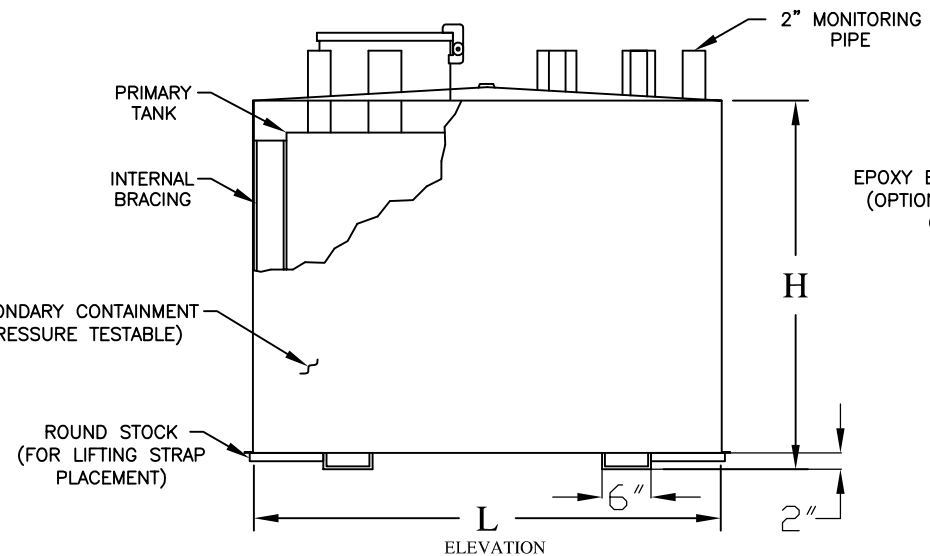


STANDARD DIMENSIONS(SECONDARY TANK)***				
CAPACITY GALLONS	LENGTH(L)	WIDTH (W)*	HEIGHT (H)**	WEIGHT
250	4' 9"	3' 7"	3' 9"	3,400 lb.

1. REFER TO DWG. SAC002 FOR TANKS 500 TO 2,000 GALLONS.
 2. REFER TO DWG. SAC003 FOR TANKS 2,500 TO 20,000 GALLONS.

NOTES:
 *ADD AN ADDITIONAL 7" FOR OVERALL WIDTH.
 **ADD AN ADDITIONAL 9" FOR OVERALL HEIGHT IF INSTALLING SPILL BOX.
 ***ADDITIONAL FITTINGS AVAILABLE UPON REQUEST.



ENTIRE TANK ASSEMBLY IS UL-2085 LISTED (INSULATED SECONDARY CONTAINMENT ABOVEGROUND TANKS FOR FLAMMABLE LIQUIDS, PROTECTED TYPES).

PRODUCT CODE	GALLONS	DESCRIPTION	OVERALL SIZE	SHIP WT.
SAC001	SEE CHART	UL-2085 VAULT TANK	SEE CHART	SEE CHART



THIS DRAWING AND DESIGN SHOWN HEREIN IS THE PROPERTY OF CONTAINMENT SOLUTIONS. USE OR COPIES THEREOF CANNOT BE MADE WITHOUT WRITTEN CONSENT.

CUSTOMER NAME: _____

APPROVED BY: _____ DATE: _____

DRAWN BY: D. ROVANG DATE DRAWN: 01-01-14
 DWG NUMBER: SAC001 SCALE: SALES
 REV: _____ REV BY: _____ DATE: _____ SHEET: 1 OF 1