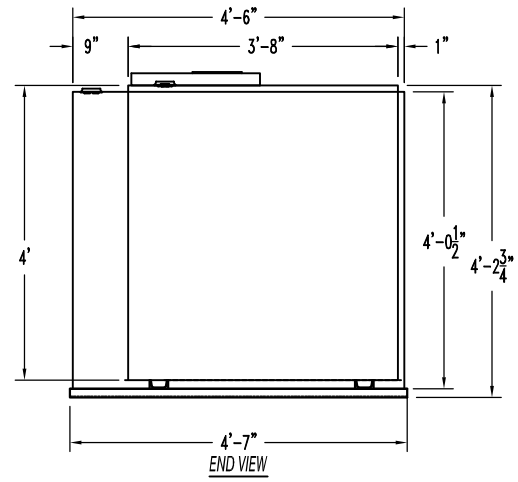
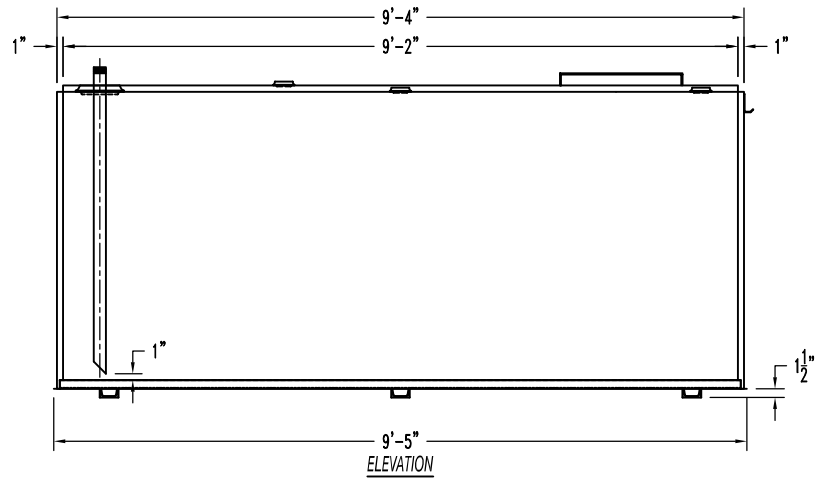


ITEM	SIZE	SUGGESTED FUNCTION
1	6"	PRIMARY TANK EMERGENCY VENT
2	2"	SUCTION PIPE W/KAMLOCK & DUST CAP
3	2"	PRIMARY TANK WORKING VENT
4	2"	MECHANICAL GAUGE/SPARE
7		DIAPHRAGM PUMP BRACKET,"PBB004"
8	6"	SECONDARY CONTAINMENT EMERGENCY VENT
9	2"	SECONDARY MONITOR PORT/ SPARE
10	2"	SECONDARY WORKING VENT
11		HOSE BRACKET

TANK SPECIFICATIONS

VENTING CAPACITY: PRIMARY TANK - 147,000 CUBIC FEET PER HOUR
 SECONDARY TANK - 168,000 CUBIC FEET PER HOUR
 MATERIAL: PRIMARY TANK - 10 GA.
 SECONDARY TANK - 10 GA.



PRODUCT CODE	GALLONS	DESCRIPTION	OVERALL SIZE	SHIP WT.
WEAA101MDS000	1,000	UL-142 DOUBLE WALL WASTE EVAC. TANK	9'-5" L X 4'-7" W X 4'-3" H	2,200 LBS.
THIS DRAWING AND DESIGN SHOWN HEREIN IS THE PROPERTY OF CONTAINMENT SOLUTIONS. USE OR COPIES THEREOF CANNOT BE MADE WITHOUT WRITTEN CONSENT.				
CUSTOMER NAME	APPROVED BY: _____		DATE: _____	

CONTAINMENT SOLUTIONS

DRAWN BY: D. ROVANG DATE DRAWN: 01-01-14
 DWG NUMBER: 5100210 SCALE: 1:32
 REV: REV BY: DATE: SHEET: 1 OF 1