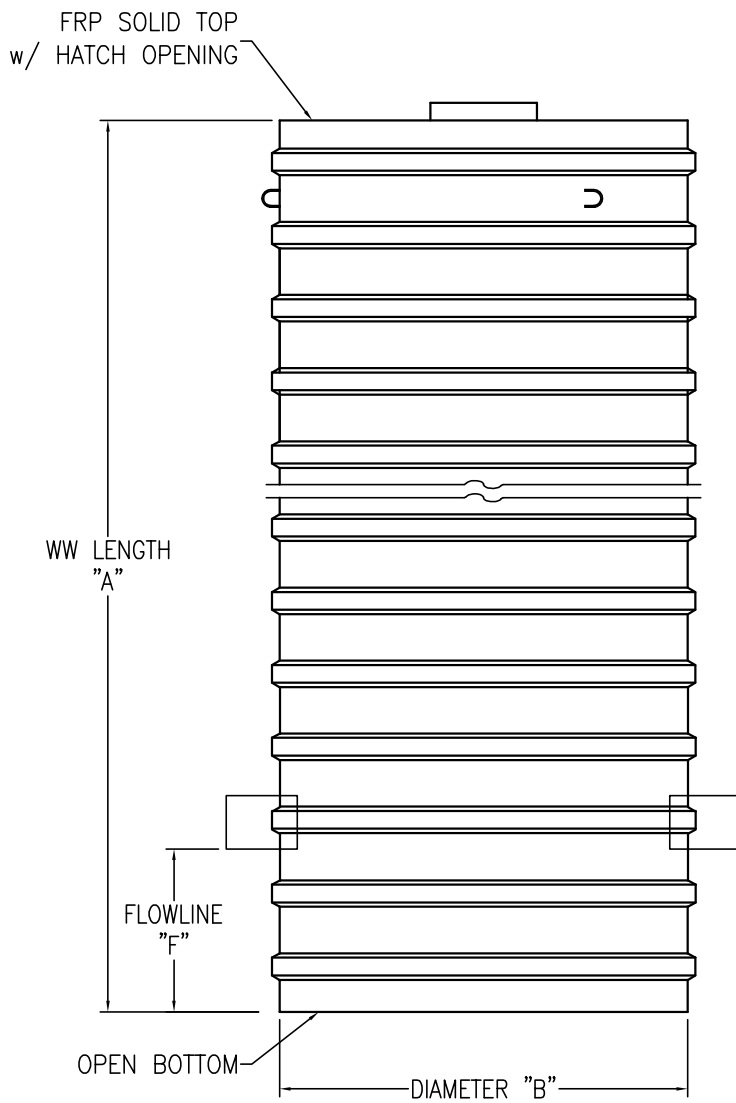
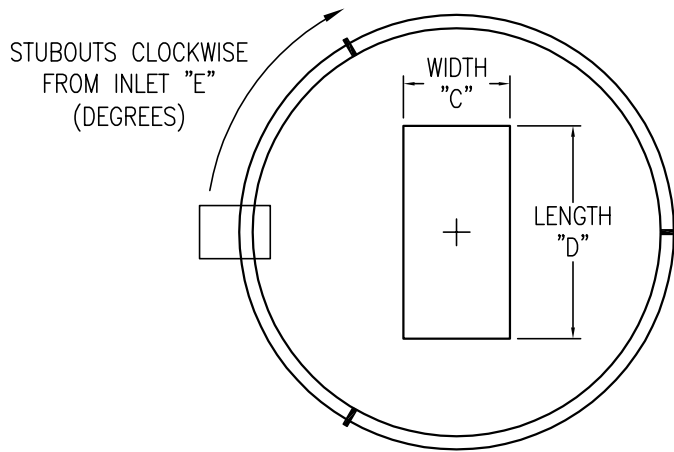


# STANDARD FIBERGLASS WETWELL

w/FIBERGLASS TOP, OPEN BOTTOM  
& HATCH OPENING



JOB NAME				
WW #	WW LENGTH (FT) "A"	WW DIAMETER "B"	HATCH WIDTH "C"	HATCH LENGTH "D"
DEGREES CLOCKWISE FROM INLET "E"	FLOW LINE DISTANCE FROM BOTTOM (FT) "F"	PIPE SIZE (DIA.)	PIPE TYPE	STUBOUT TYPE (BELL, SPIGOT, BOOT ETC.)



**CONTAINMENT SOLUTIONS**

WW-OPENBOTTOM 1/1/2015