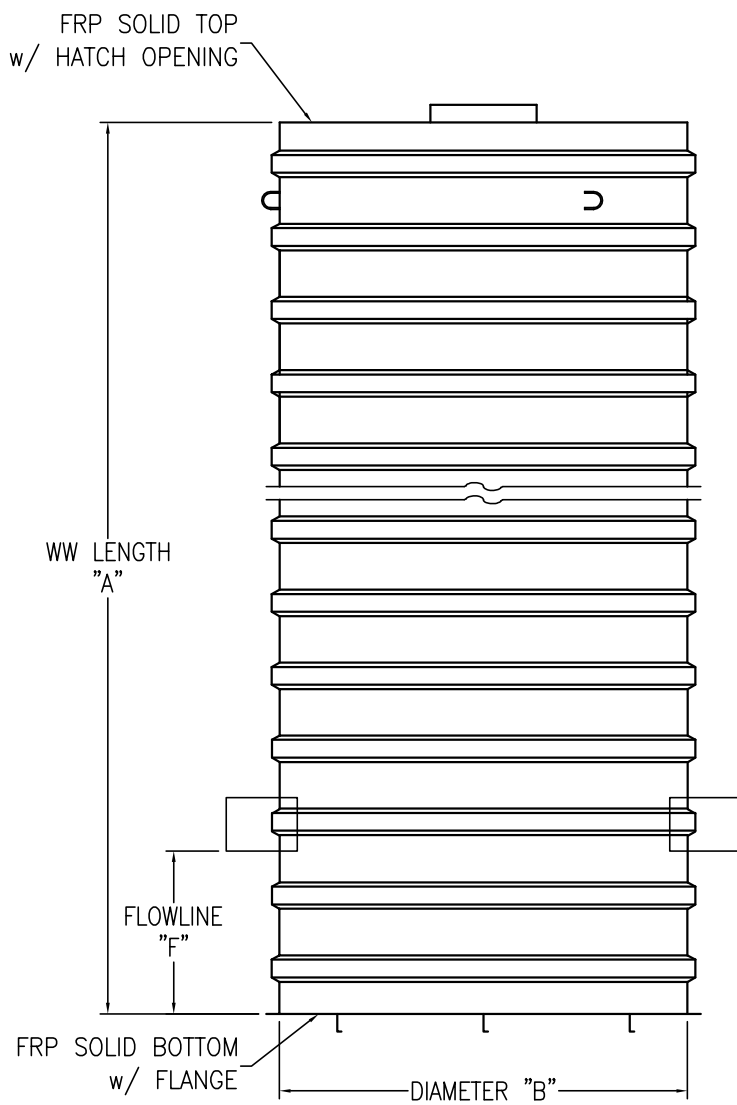
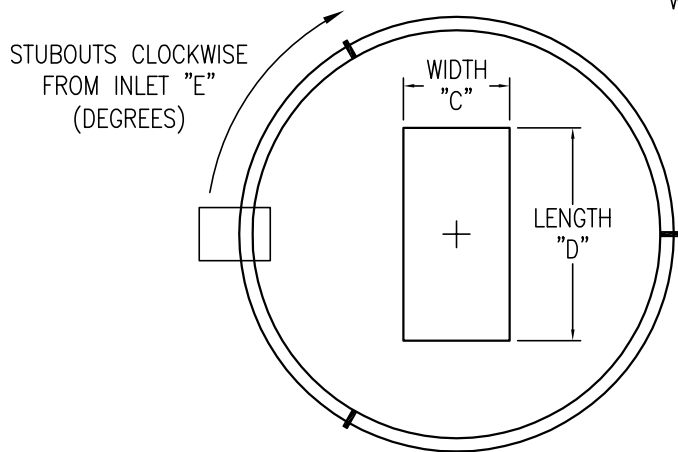


STANDARD FIBERGLASS WETWELL w/FIBERGLASS TOP, BOTTOM & HATCH OPENING



JOB NAME	WW #	WW LENGTH (FT) "A"	WW DIAMETER "B"	HATCH WIDTH "C"	HATCH LENGTH "D"
DEGREES CLOCKWISE FROM INLET "E"	FLOW LINE DISTANCE FROM BOTTOM (FT) "F"	PIPE SIZE (DIA.)	PIPE TYPE	STUBOUT TYPE (BELL, SPIGOT, BOOT ETC.)	



CONTAINMENT SOLUTIONS

WW-TOPBOTTOM 1/1/2015